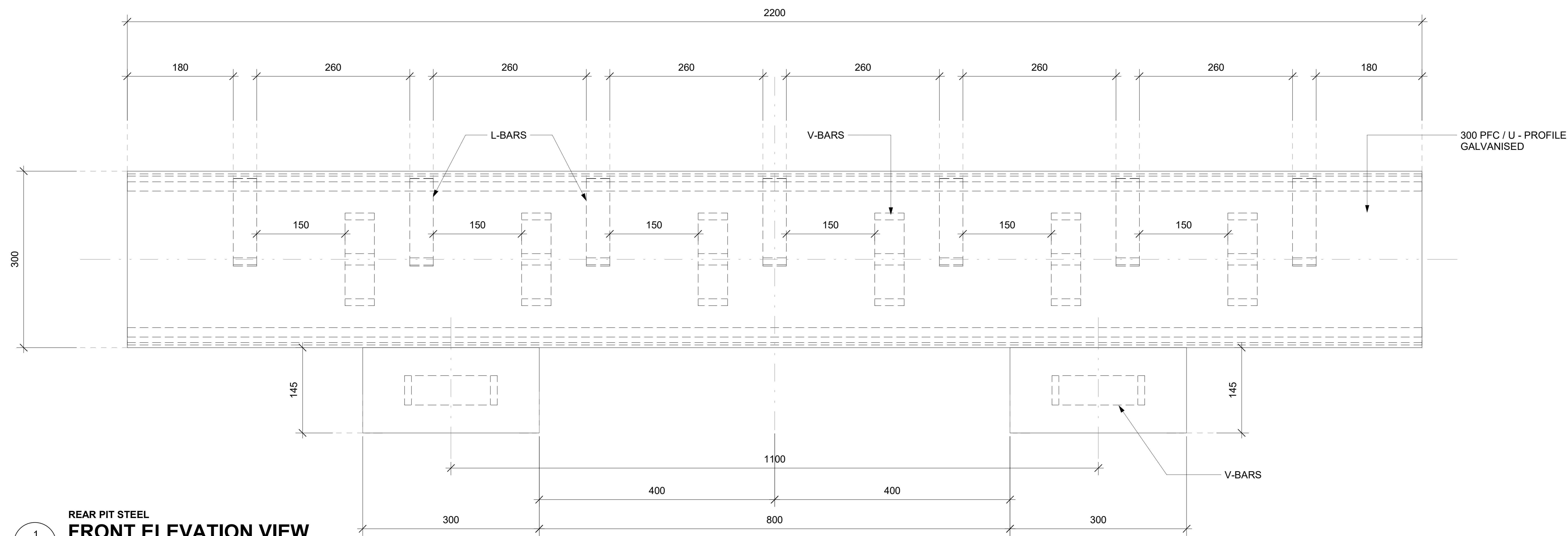
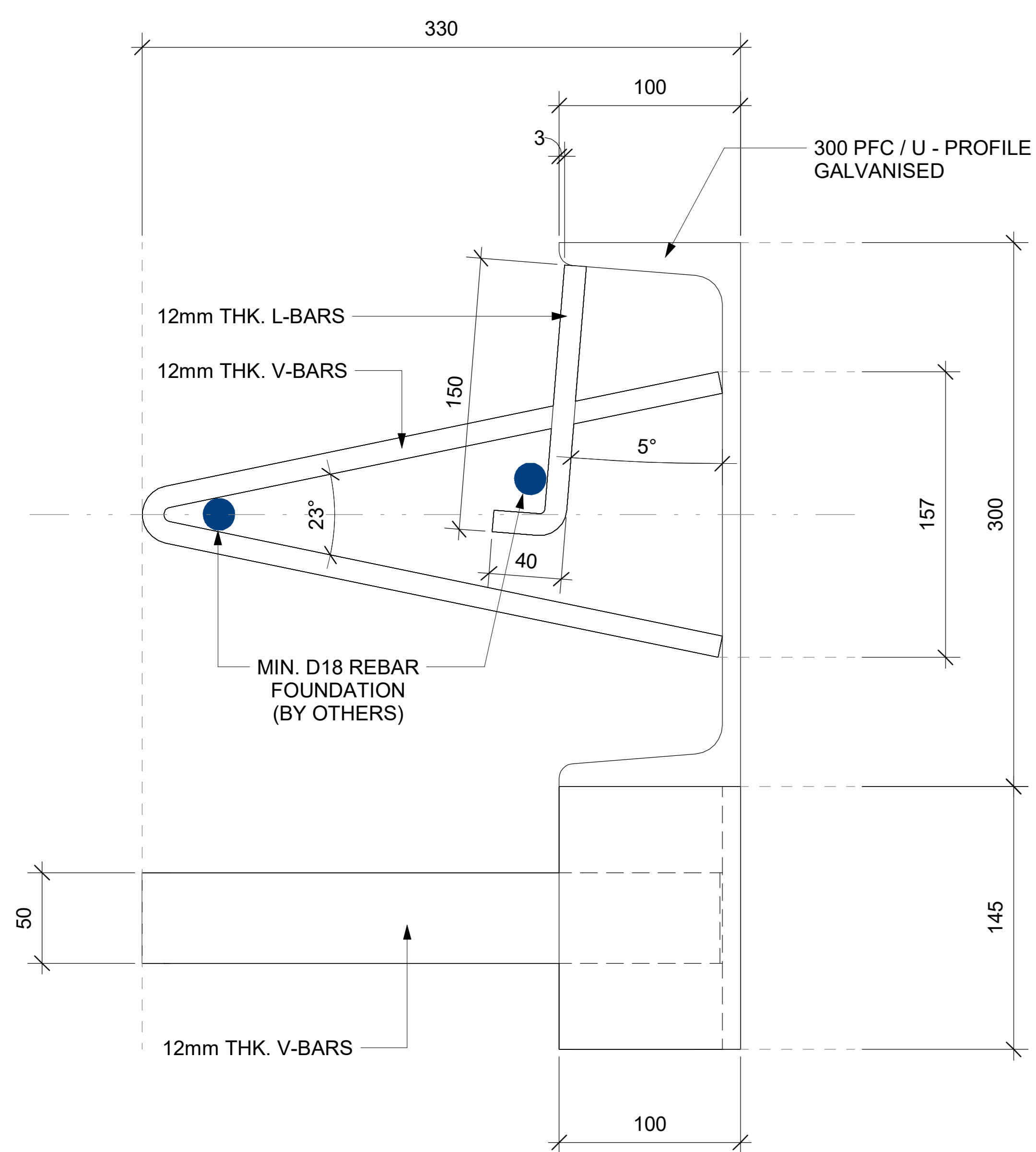


**NOTE:**  
CONTACT ULTI GROUP FOR ANY CUSTOMISATIONS AND TO DISCUSS PROJECT SPECIFIC INFORMATION

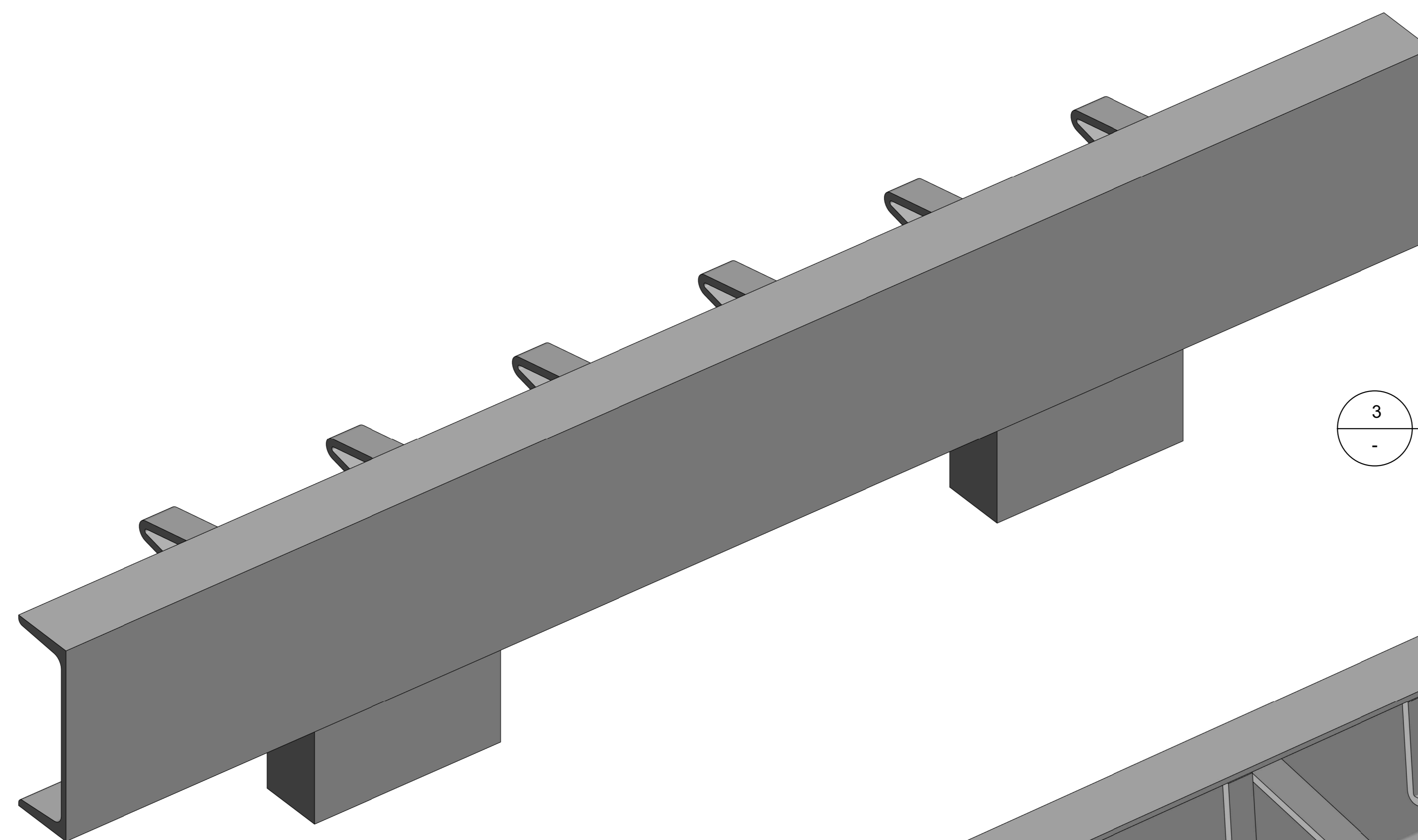
www.ultigroup.co.nz  
sales@ultigroup.co.nz  
Phone: 0800 807 753  
105 Glover Road, Hawera, 4610



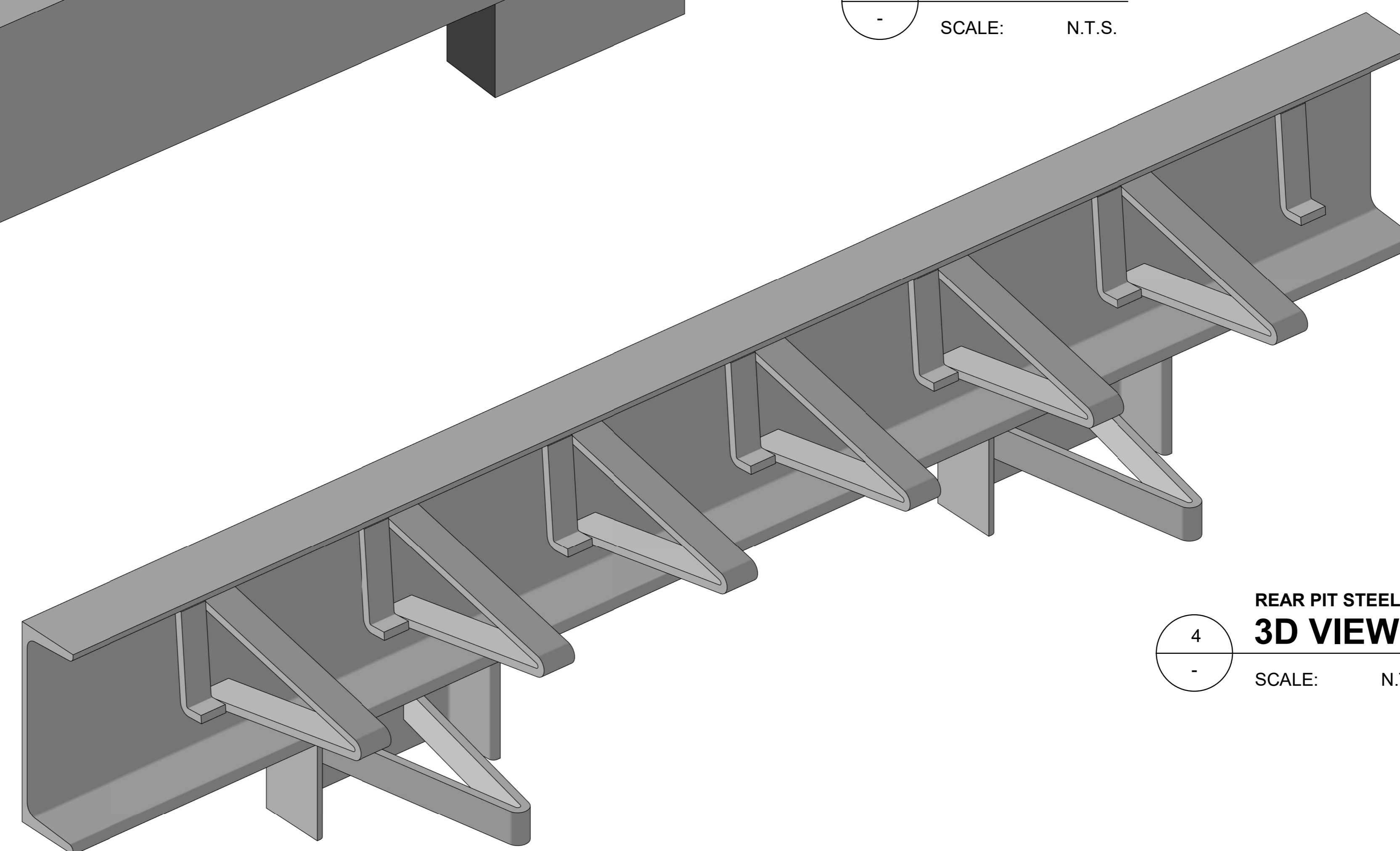
**REAR PIT STEEL FRONT ELEVATION VIEW**  
SCALE: 1:3 MTS.



**REAR PIT STEEL SIDE ELEVATION VIEW**  
SCALE: 1:1 MTS.



**REAR PIT STEEL 3D VIEW 1**  
SCALE: N.T.S.



**REAR PIT STEEL 3D VIEW 2**  
SCALE: N.T.S.

**\* NOTE :**

- \* REAR PIT STEEL TO BE FABRICATED BY AND CAST IN BY OTHERS.
- \* HOT DIP GALVANISED FINISH
- \* FOUNDATION REQUIRED TO BE SUITABLE FOR 100 Kn / 10,000 kg MAXIMUM LOAD

REVISIONS			
REV.	DESCRIPTION	BY	DATE
0	NEW DRAWING	JE	NOV.29.2021

TITLE: <b>REAR PIT STEEL CHANNEL DETAIL</b>	
PROJECT CLIENT:	
ULTI PROJECT REFERENCE NO. :	
SHEET NO. : 3 OF 4	DATE : DEC. 20, 2021

DRAWING NUMBER : <b>DOCKS-003</b>			
APPROVED BY : J.PRESTIDGE		DRAWN BY : J.ENRIQUEZ	
SCALE : As indicated	SHT. SIZE : A0	*All dimensions are in millimeters unless otherwise specified	



**NOTE:**

CONTACT ULTI GROUP FOR ANY CUSTOMISATIONS AND TO DISCUSS PROJECT SPECIFIC INFORMATION

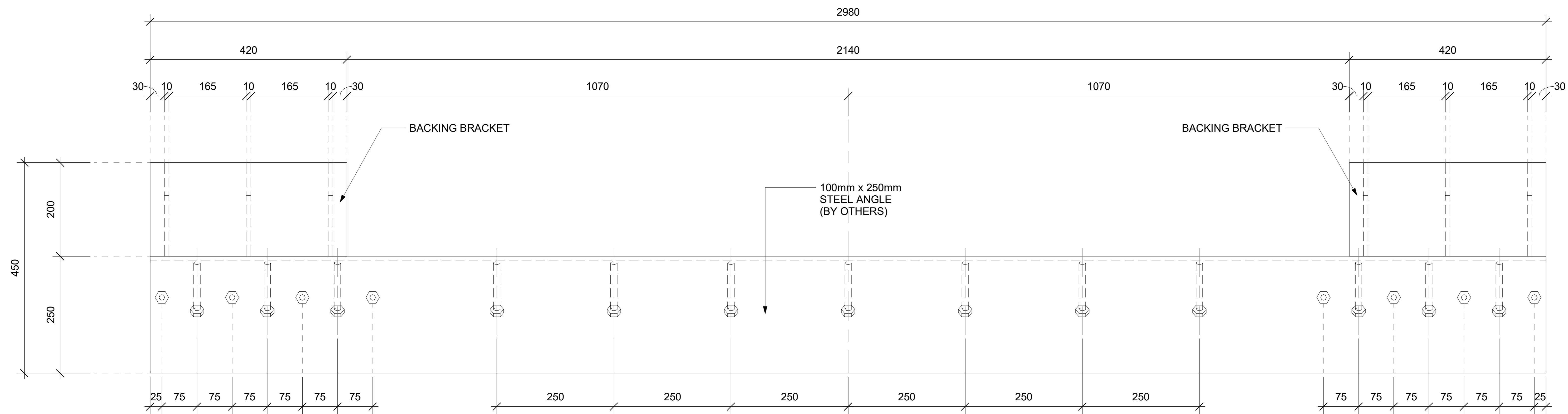
www.ultigroup.co.nz  
sales@ultigroup.co.nz  
Phone: 0800 807 753  
105 Glover Road, Hawera, 4610

**\* NOTE :**

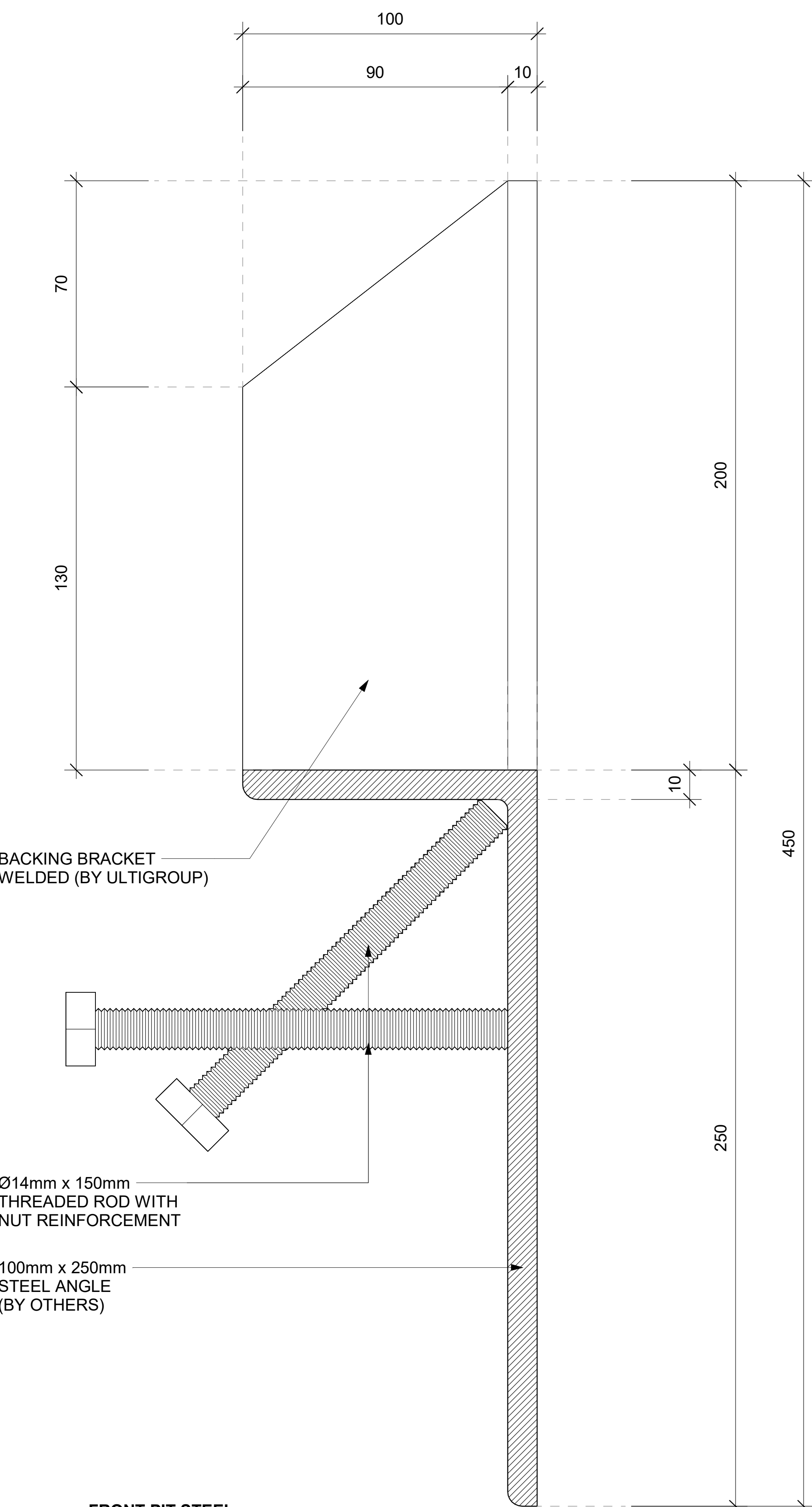
\* REAR PIT STEEL TO BE FABRICATED BY AND CAST IN BY OTHERS.

\* HOT DIP GALVANISED FINISH

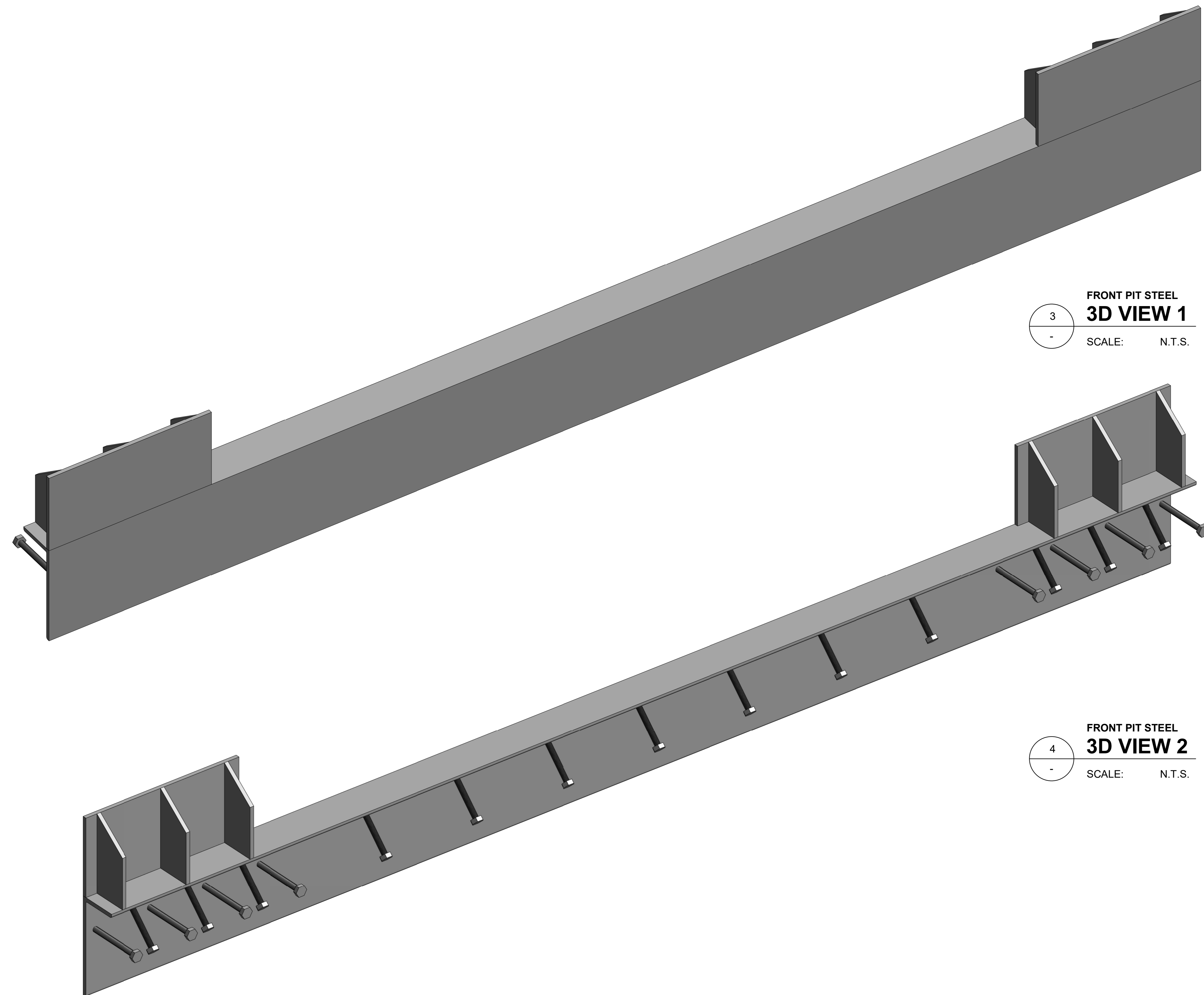
\* FOUNDATION REQUIRED TO BE SUITABLE FOR 100 Kn / 10,000 kg MAXIMUM LOAD



1  
FRONT PIT STEEL  
**FRONT ELEVATION VIEW**  
SCALE: 1:4 MTS.



2  
FRONT PIT STEEL  
**SIDE ELEVATION VIEW**  
SCALE: 1:1 MTS.



REVISIONS			
REV.	DESCRIPTION	BY	DATE
0	NEW DRAWING	JE	NOV.29.2021

TITLE: <b>FRONT PIT STEEL DETAIL</b>	
PROJECT CLIENT:	
ULTI PROJECT REFERENCE NO. :	
SHEET NO. : 4 OF 4	DATE : DEC. 20, 2021

DRAWING NUMBER : <b>DOCKS-004</b>			
APPROVED BY : J.PRESTIDGE		DRAWN BY : J.ENRIQUEZ	
SCALE : As indicated	SHT. SIZE : A0	*All dimensions are in millimeters unless otherwise specified	