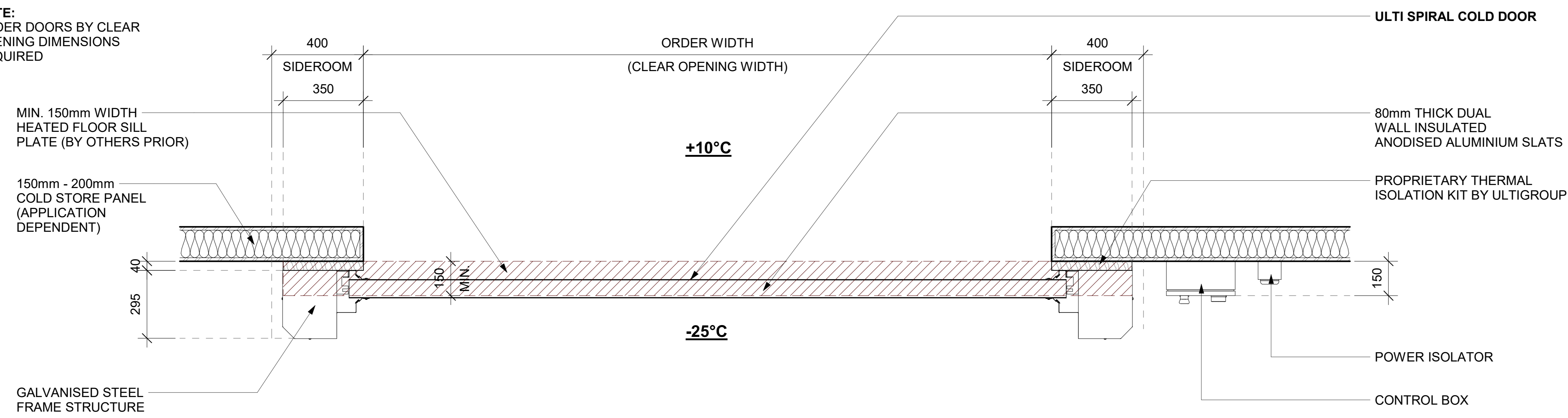


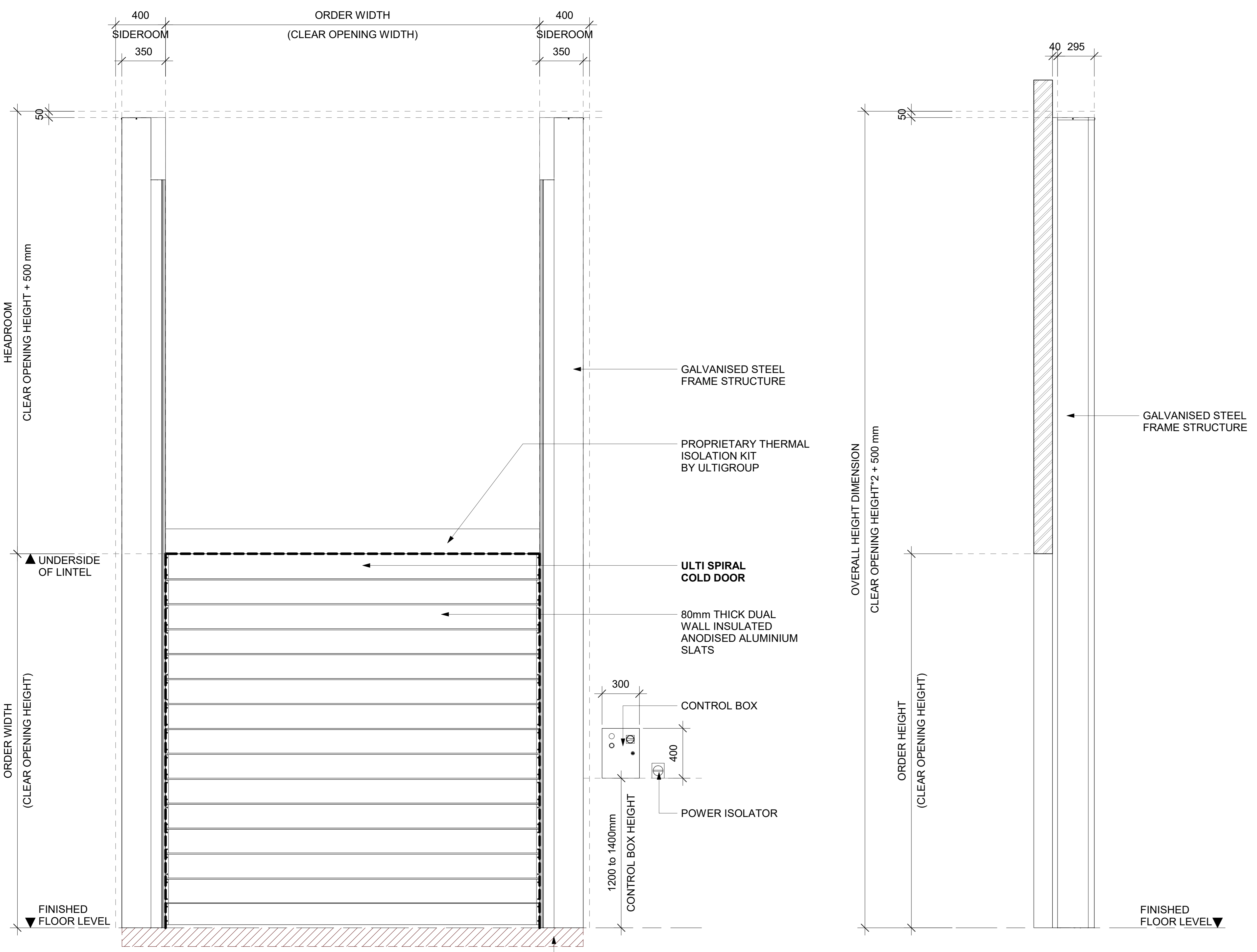
NOTE:
CONTACT ULTI GROUP FOR ANY CUSTOMISATIONS AND TO DISCUSS PROJECT SPECIFIC INFORMATION

www.ultigroup.co.nz
hello@ultigroup.co.nz
Phone: 0800 807 753
105 Glover Road, Hawera, 4610

NOTE:
ORDER DOORS BY CLEAR OPENING DIMENSIONS REQUIRED

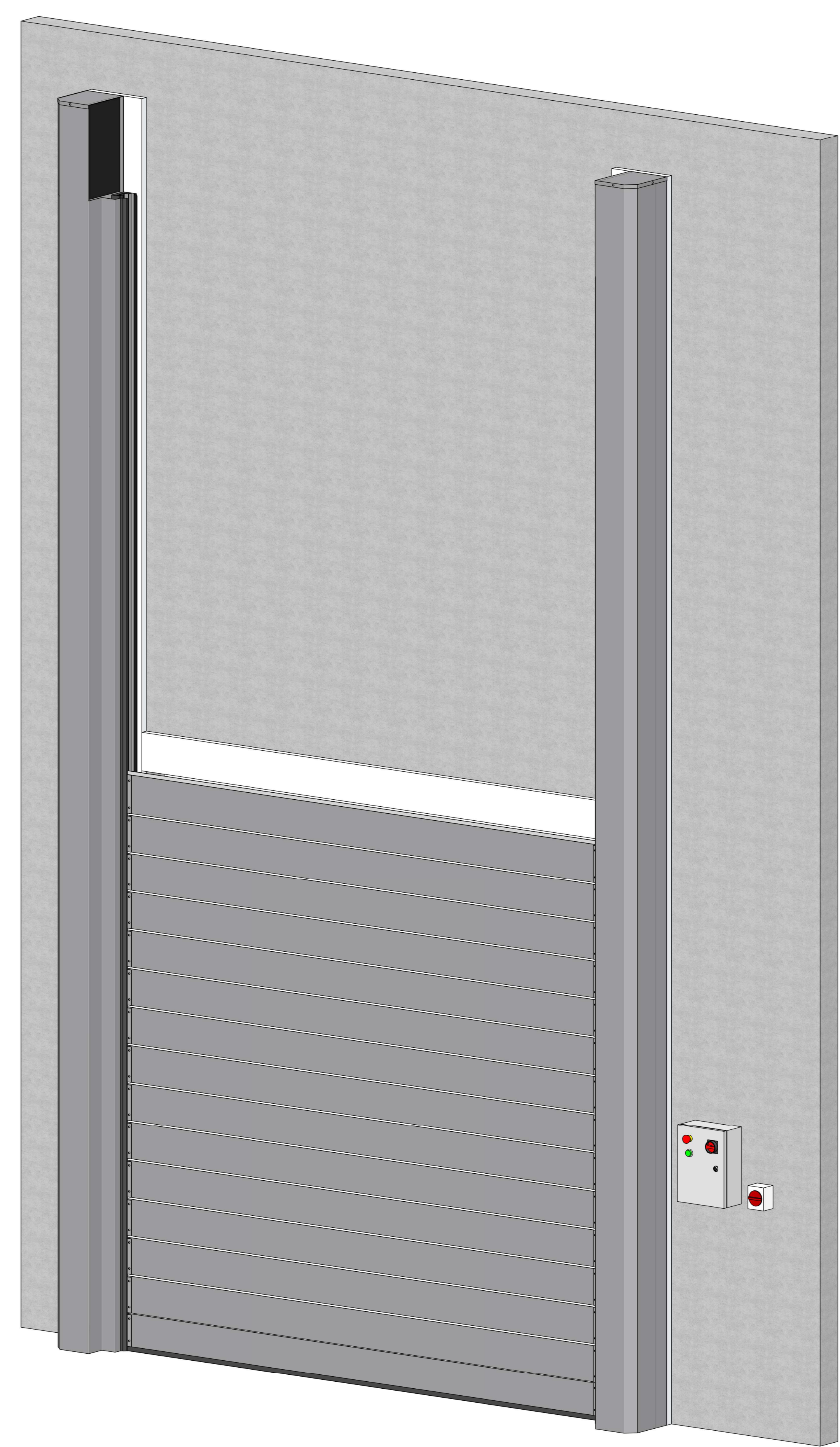


1 FLOOR PLAN VIEW
SCALE: 1:10 MTS.



2 FRONT ELEVATION VIEW
SCALE: 1:15 MTS.

3 SIDE ELEVATION VIEW
SCALE: 1:15 MTS.



4 3D VIEW
SCALE: N.T.S.

SPECIFICATIONS :

- RELEASED VERSION NO. : **VERSION 1**
- PRODUCT GROUP : **HIGH SPEED DOORS**
- PRODUCT ID : **00000**
- APPLICATION : **INTERNAL & EXTERNAL**
- STANDARD SIZE : **2000 mm WIDE x 2500 mm HIGH**
- MINIMUM SIZE : **1500 mm WIDE x 1500 mm HIGH**
- MAXIMUM SIZE : **3000 mm WIDE x 3000 mm HIGH**
- HEADROOM : **ORDER HEIGHT + 500 mm**
- SIDE ROOM - MOTOR SIDE : **400 mm**
- SIDE ROOM - NON MOTOR SIDE : **400 mm**
- STANDARD FRAME MATERIAL : **GALVANISED STEEL**
- STANDARD FRAME COLOUR : **GALVANISED FINISH**
- STANDARD CURTAIN MATERIAL : **ANODISED ALUMINIUM**
- CURTAIN COLOUR (INSIDE / OUTSIDE) : **ANODISED**
- POWER SUPPLY : **3 PHASE, 400V + NEUTRAL + EARTH 15 Amp**

TITLE:
ULTI SPIRAL COLD DOOR

SHEET NO. : 1 OF 1
DATE : FEB. 1, 2021

DRAWING NUMBER :
SPIRAL-COLD-001

APPROVED BY : J.PRESTIDGE
DRAWN BY : J.ENRIQUEZ
SCALE : As indicated | **SHT. SIZE :** A0

*All dimensions are in millimeters unless otherwise specified