

**ulti  
group**

## How to Choose Your PVC Strip Curtain Kit

Tips for choosing your PVC curtains

[ULTIGROUP.CO.NZ](http://ULTIGROUP.CO.NZ)

# Before purchasing your PVC Strip Curtain Kit



### STEP 1: MEASURE THE SPACE

**Height (H)** Measure from the underside of the door lintel/frame all the way to the ground.

**Width (W)** Measure between the two inner side edges of the door frame

We call these measurements the daylight opening size. Our cut size calculator asks if you want it mounted under the lintel or face mounted above the lintel. It will make the necessary deductions or additions to both the length and the height after these tabs are chosen.

The calculator we use ensures that ideally the strips will hang 20mm above the floor to make sure they hang freely.





### STEP 2: CHOOSE YOUR PVC TYPE

Ulti Group have a choice of PVC types, styles, grades, widths and colours. All PVC is made of Virgin Grade material, meets Food Grade standards and is available in anti-static.

They all comply with the Food and Drug Administration regulations and have passed these tests in the USA.

## COLOURS

 Clear - This has a blueish tinge to it to help with lasting transparency. Both Standard (Temp range of +50° to -10°) and freezer grade (Temp range of +10° to -40°).

 Red - This has UV protection and is used for welding bays but also for highlighting the edge of the doorways with the two external strips being red. Temp range of +50° to -10°

 Yellow - This has natural insect repellent properties. Temp range of +50° to -10°

 Black - This glossy black is popular where privacy is required. Temp range of +50° to -10°

## GRADES



### Standard Temperature

Our most common PVC roll. This is a bluish tinge giving a natural vision. Suitable for temperatures range from +50° to -10°



### Freezer Grade

All our freezer grade is super- polar which means it has a range from +10°C to -40C°. It is softer and more flexible than standard temp PVC. Under freezer conditions, this hardens and becomes durable to suit forklift traffic.

## LENGTH, THICKNESS AND WIDTHS

Our range in mm's is 100 x 2, 200 x 2, 300 x 3, 400 x 4. (400mm only available in Standard temp flat). We recommend using the lighter widths for pedestrians as it is more comfortable to walk through.

## TYPES

Ribbed has double thread-reinforced profiles and is ideal for heavy traffic such as forklifts and other vehicles. Flat is suitable for pedestrians and light trolleys.

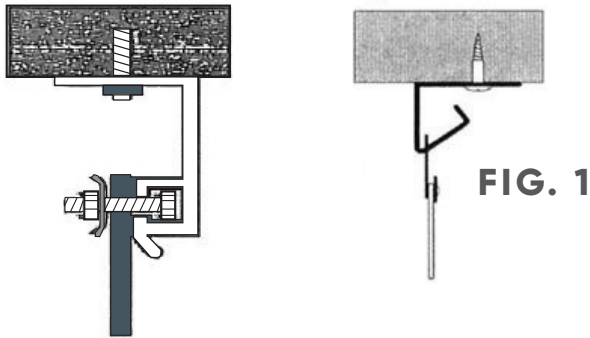
Ribbed or flat for both Freezer and standard grade options. (exceptions to this is the 100mm, 400mm, Red, Yellow and Green which are only available in flat.)

# TIPS FOR CHOOSING YOUR PVC STRIP CURTAINS

## STEP 3: CHOOSING THE HANGING POSITION

We have two different types of rails. Standard Rail (available as uncovered and covered) and Hook Rail. Both hanging methods can be hung face mounted or under the lintel. However, we need to know which system you will use so the PVC strips can be cut to the correct length.

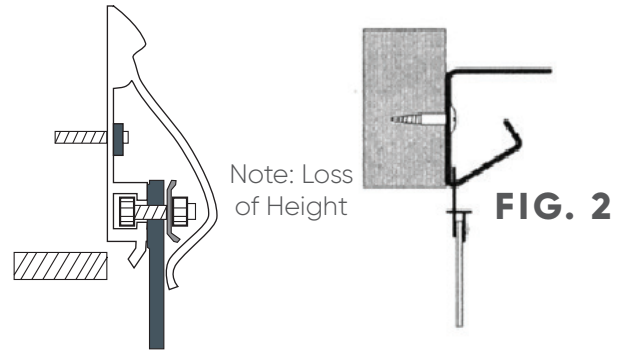
### Under Lintel Fixed



Fixed Rail without Cover

Hook Rail

### Face Fixed



Fixed Rail with Cover

Hook Rail

### UNDER LINTEL

See: fig. 1. Under lintel shown.

The curtains will be made to fit in between the door frame. In a hook system, the outside ones may have adjusted overlap to make them fit.

### FACE MOUNT

See fig. 2. Face fixed.

The curtains will be made to fit above the door frame, continuing past both sides of the door.

## STEP 4: CHOOSING YOUR RAIL TYPE

As seen below there are 2 types of rails:



### FIXED RAIL

The PVC strip is bolted and the head of the bolt is slid into the rail.



### HOOKED RAIL

The PVC is secured to clamps and hung from the hooks.

Any of these strips can be easily removed, and replaced, if required.

# What's in the Box?

## PARTS SUPPLIED

Your package will include:

- The PVC strips
- The correct number of M6 bolts/clamps for attaching the strips
- The chosen header rail cut to the correct length.
- Cover for fixed rail if included

Correct



Incorrect





**Ultigroup**

**0800 807 753**

**ULTIGROUP.CO.NZ**