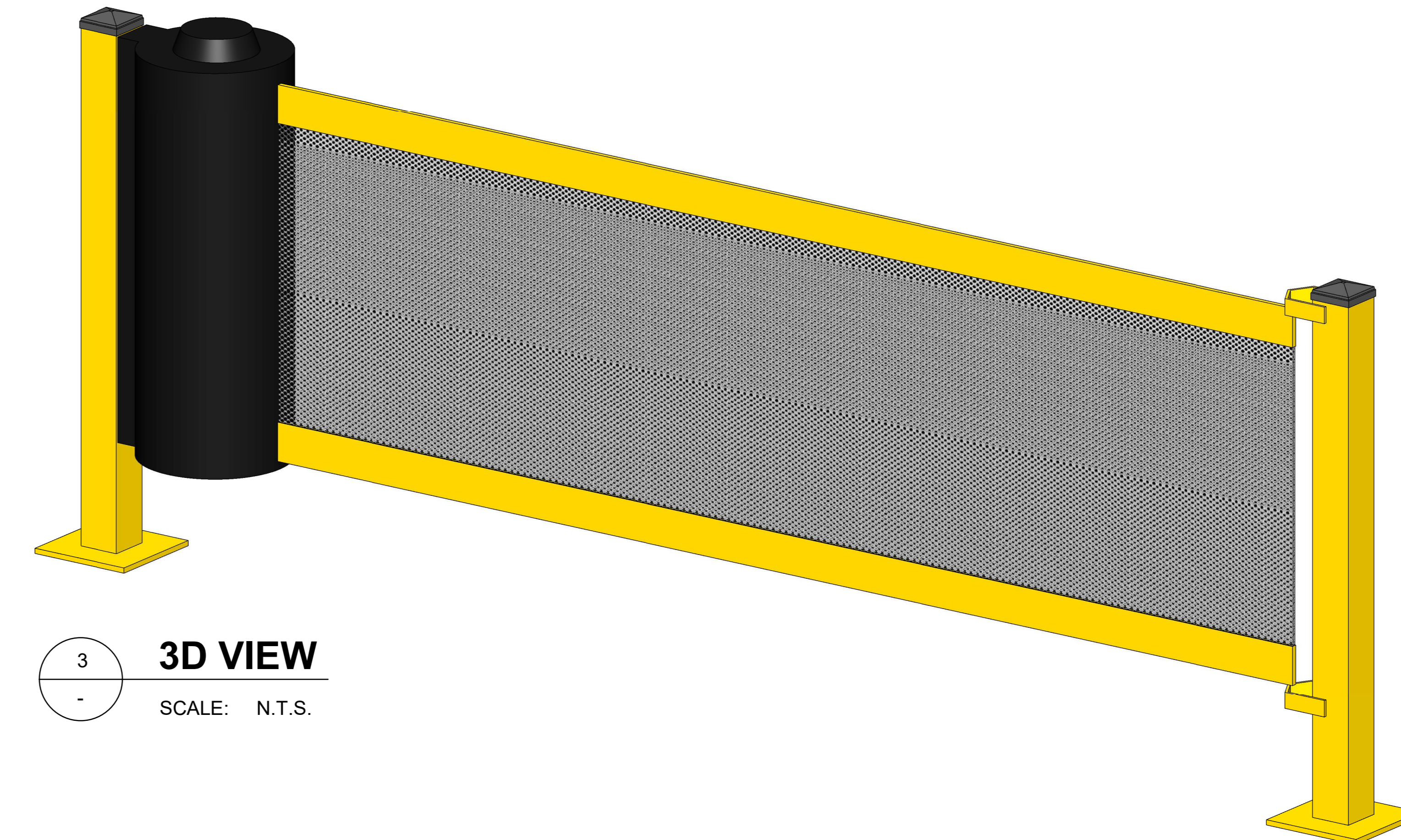
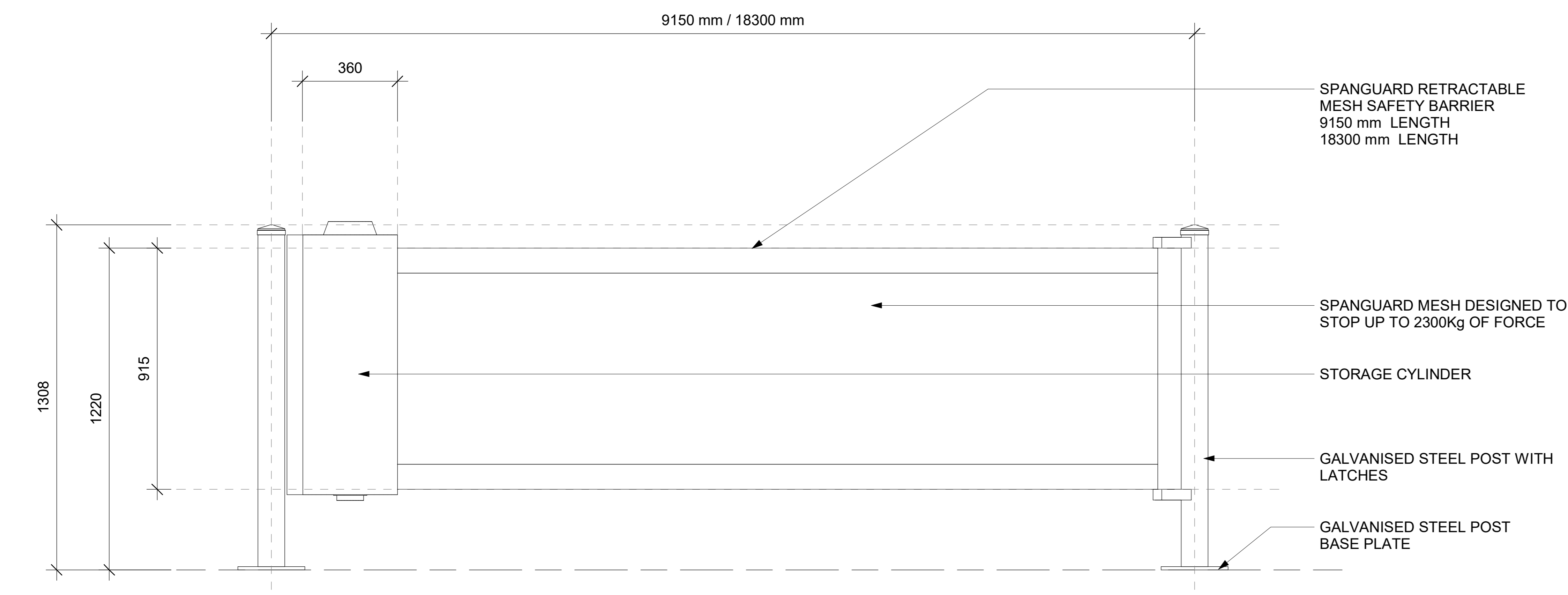


**1 FLOOR PLAN VIEW**  
SCALE: 1:10 MTS.



**3 3D VIEW**  
SCALE: N.T.S.



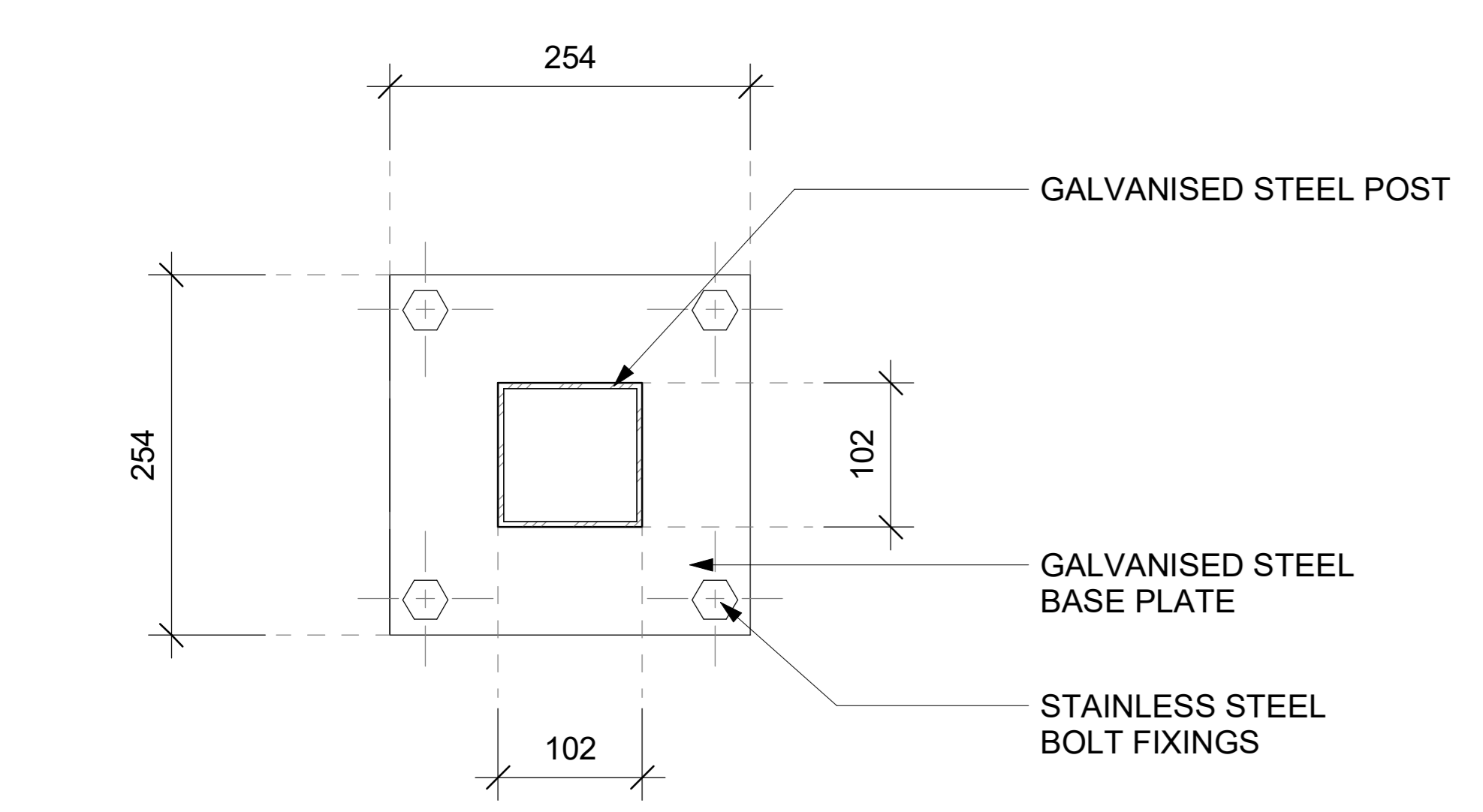
**2 ELEVATION VIEW**  
SCALE: 1:10 MTS.

**WILL ABSORB MULTIPLE IMPACTS AT THIS LEVEL WITH MINIMAL DAMAGE**

**WILL NOT ABSORB AN IMPACT OF THIS LEVEL**

**BLAST IMPACT RATING CHART - SPANGUARD**

Mass (Kg)		227	455	682	909	1136	1364	1591	1818	2045	2273
MPH	M / sec	KE ( Joules )									
2	0.89	90	181	271	362	452	543	633	724	814	905
2.5	1.12	141	283	424	566	707	848	990	1131	1273	1414
3	1.34	204	407	611	814	1018	1222	1425	1629	1833	2036
3.5	1.56	277	554	831	1109	1386	1663	1940	2217	2494	2771
4	1.78	362	724	1086	1448	1810	2172	2634	2896	3258	3620
4.5	2.01	458	916	1374	1833	2291	2749	3207	3665	4123	4581
5	2.23	566	1131	1697	2322	2928	3534	4140	4746	5352	5958
5.5	2.45	684	1369	2053	2738	3422	4106	4791	5475	6159	6844
6	2.68	814	1629	2443	3258	4072	4887	5701	6516	7330	8145
6.5	2.90	956	1912	2868	3824	4779	5735	6691	7647	8603	9559
7	3.12	1109	2217	3326	4434	5543	6652	7760	8869	9977	11086



**4 POST BLOW-UP DETAIL**  
SCALE: 1:4 MTS.

**SPANGUARD DEFLECTION**

KE (Joules)	9150mm CLEAR OPENING	18300mm CLEAR OPENING
	mm	mm
200	432	660
400	470	699
600	508	737
800	546	775
950	584	813



TITLE: **ULTI SPANGUARD RETRACTABLE MESH BARRIER SAFETY**

SHEET NO.: 1 OF 1      DATE: JUNE 15, 2021

DRAWING NUMBER: **SPANGUARD-001**

APPROVED BY: J.PRESTIDGE  
DRAWN BY: J.ENRIQUEZ

SCALE: As indicated      SHT. SIZE: A0

\*All dimensions are in millimeters unless otherwise specified