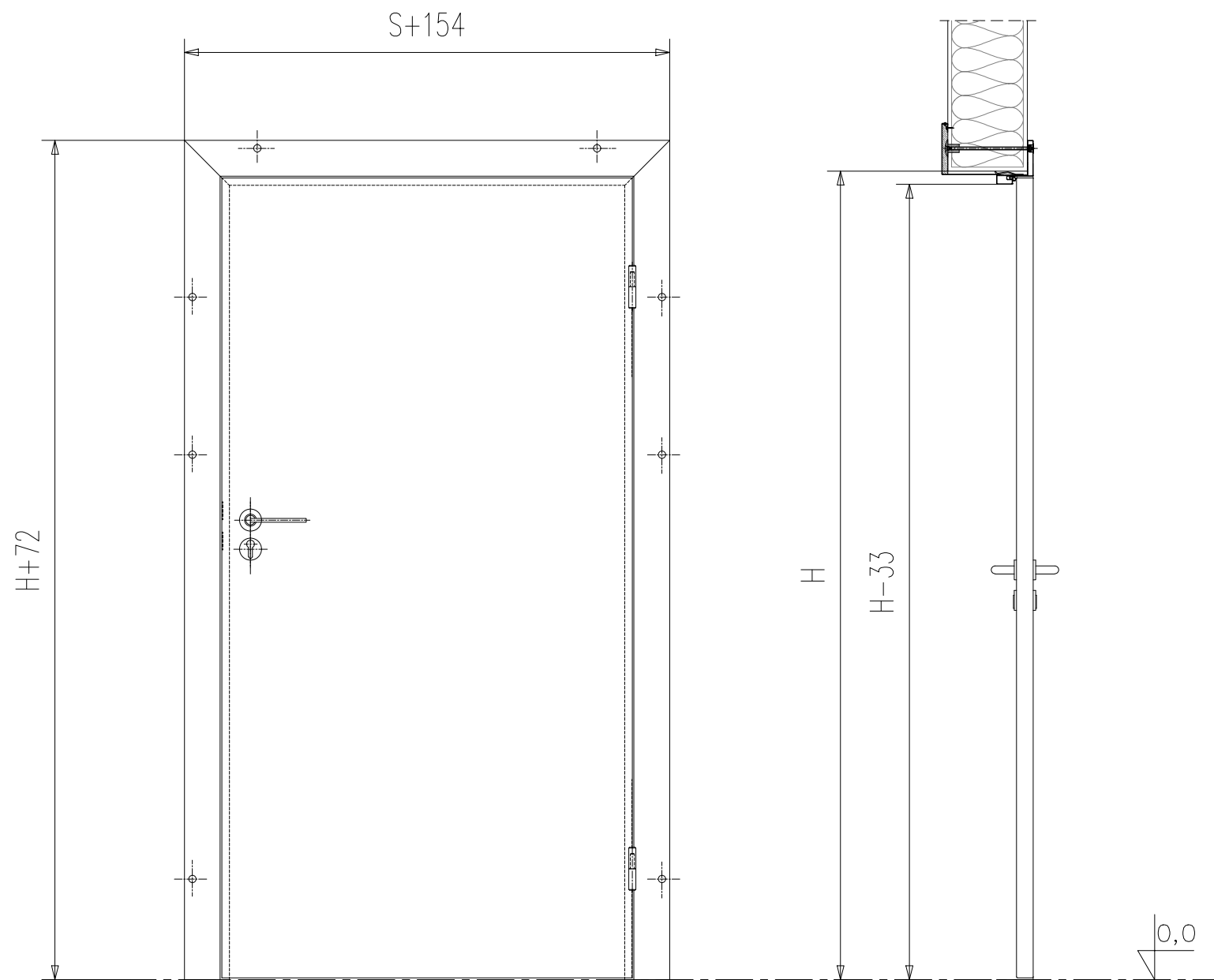


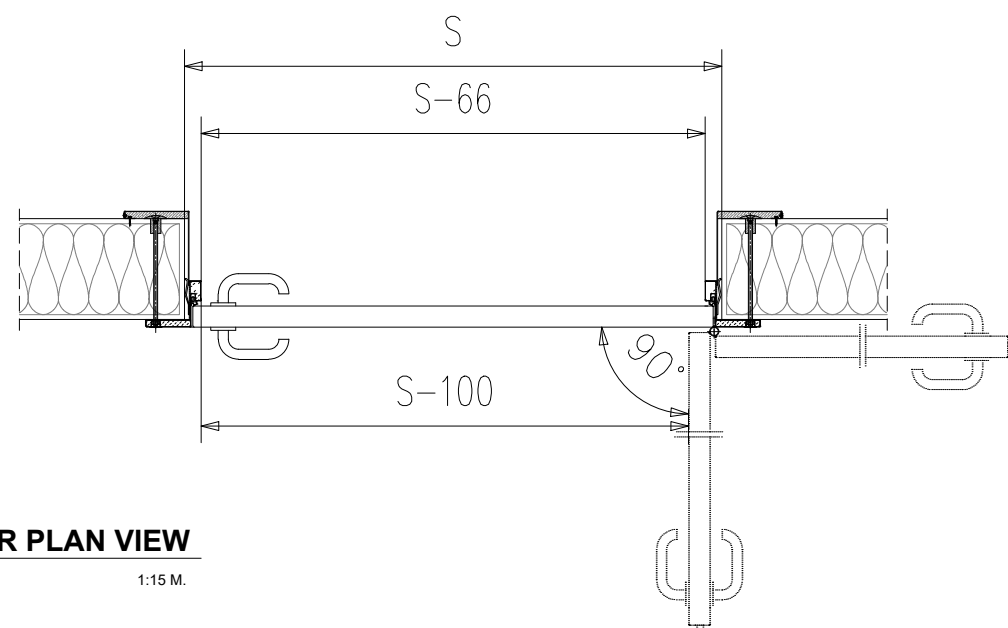
NOTE:

CONTACT ULTI GROUP FOR ANY
CUSTOMISATIONS AND TO DISCUSS
PROJECT SPECIFIC INFORMATION

www.ultigroup.co.nz
sales@ultigroup.co.nz
Phone: 0800 807 753
105 Glover Road, Hawera, 4610



1 **ELEVATION VIEWS**
SCALE: 1:15 M.



2 **FLOOR PLAN VIEW**
SCALE: 1:15 M.

TITLE :
**ULTI SS-40 HYGIENE
DOOR SET
SINGLE LEAF**

SHEET NO. : 1 OF 1	DATE : JULY 22, 2021
------------------------------	--------------------------------

DRAWING NUMBER :
SS40-SWINGSINGLE-001

APPROVED BY : J.PRESTIDGE

DRAWN BY : J.ENRIQUEZ

SCALE : As indicated	SHT. SIZE : A3
-----------------------------	-----------------------

*All dimensions are in millimeters unless otherwise specified