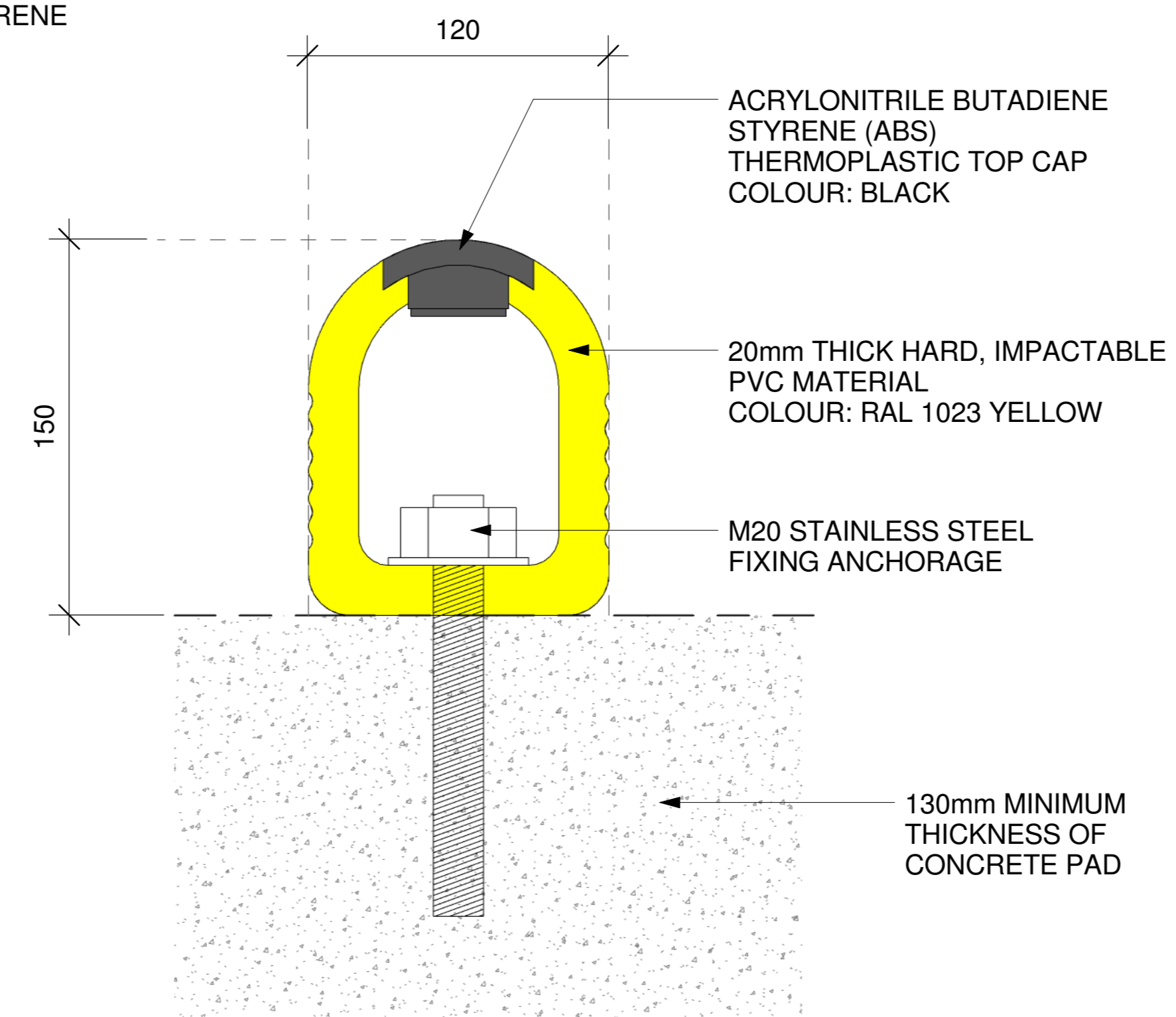
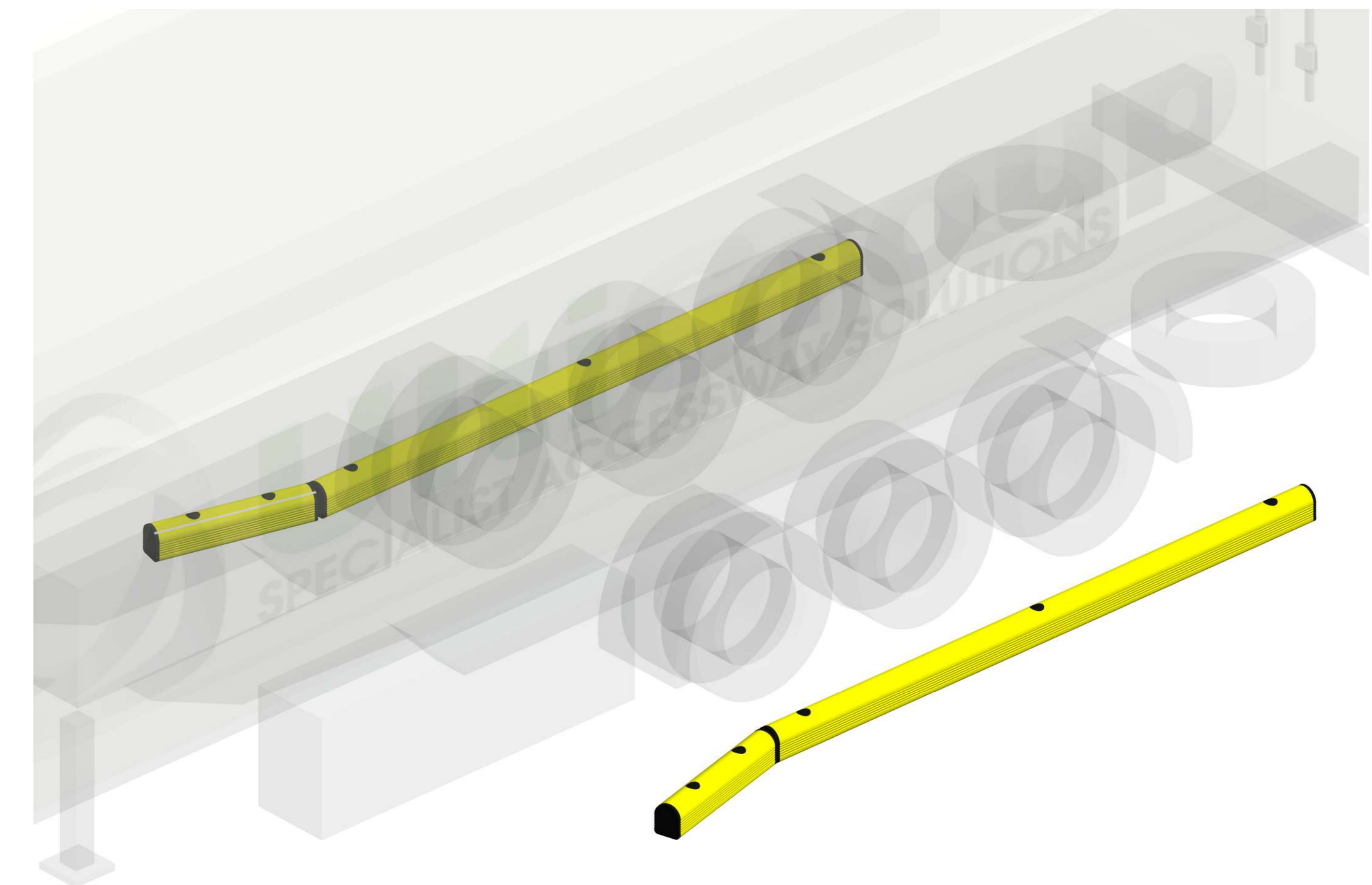


2 ELEVATION VIEW
SCALE: 1:10 MTS.



3 SECTION DETAIL
SCALE: 1:2 MTS.



4 3D VIEW
SCALE: N.T.S.

1 FLOOR PLAN VIEW
SCALE: 1:10 MTS.

NOTE:
CONTACT ULTI GROUP FOR ANY CUSTOMISATIONS
AND TO DISCUSS PROJECT SPECIFIC INFORMATION



www.ultigroup.co.nz
sales@ultigroup.co.nz
Phone: 0800 807 753
68 McLaughlins Road, Wiri, Auckland, 2104

©Uliti Group Ltd, 2018

Uliti Wheel Guides

No.	Description	Date

PLAN VIEW, ELEVATION AND 3D VIEW	
Project Number	
Date	AUGUST.13.2018
Drawn By	J.ENRIQUEZ
WHEELGUIDES-001	
Scale	As indicated @ A0
*All dimensions are in millimeters unless otherwise specified	