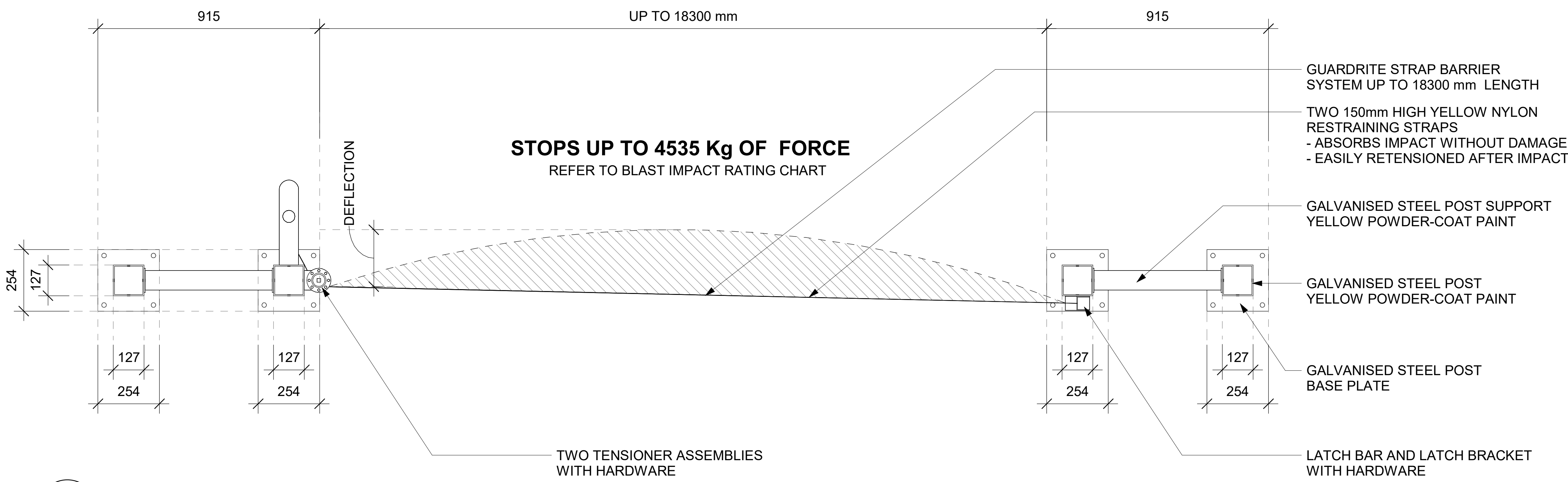


**NOTE:**

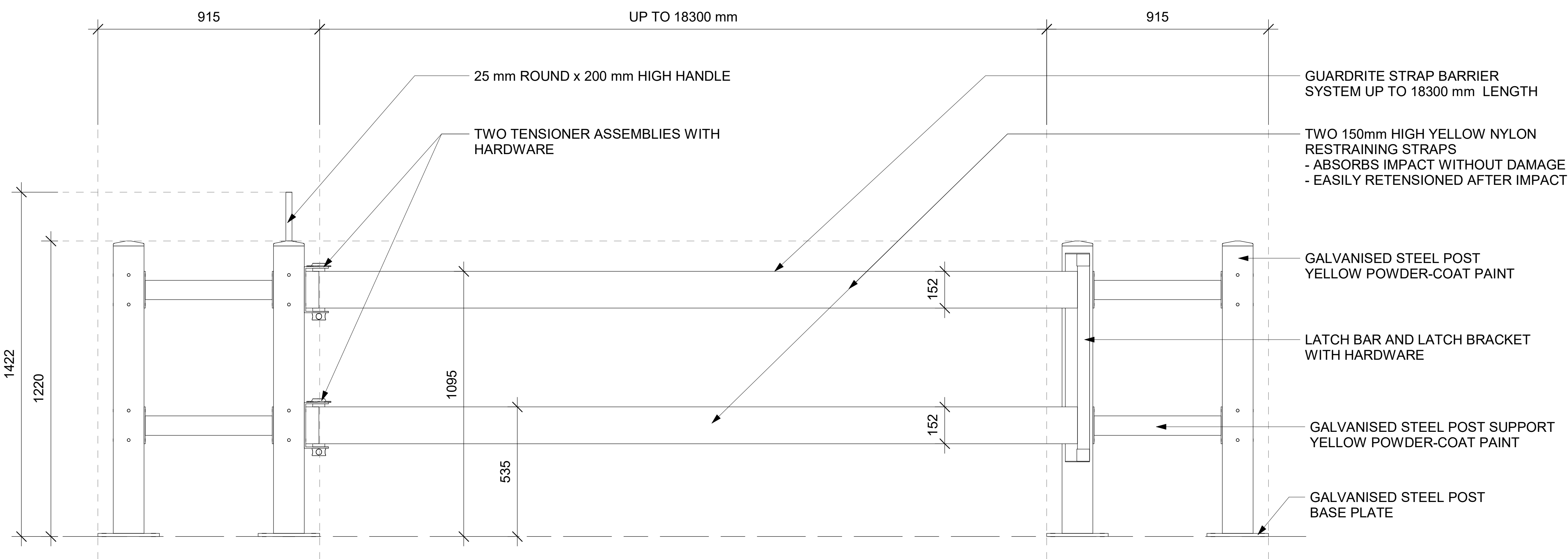
CONTACT ULTI GROUP FOR ANY CUSTOMISATIONS AND TO DISCUSS PROJECT SPECIFIC INFORMATION

www.ultigroup.co.nz  
hello@ultigroup.co.nz  
Phone: 0800 807 753  
105 Glover Road, Hawera, 4610



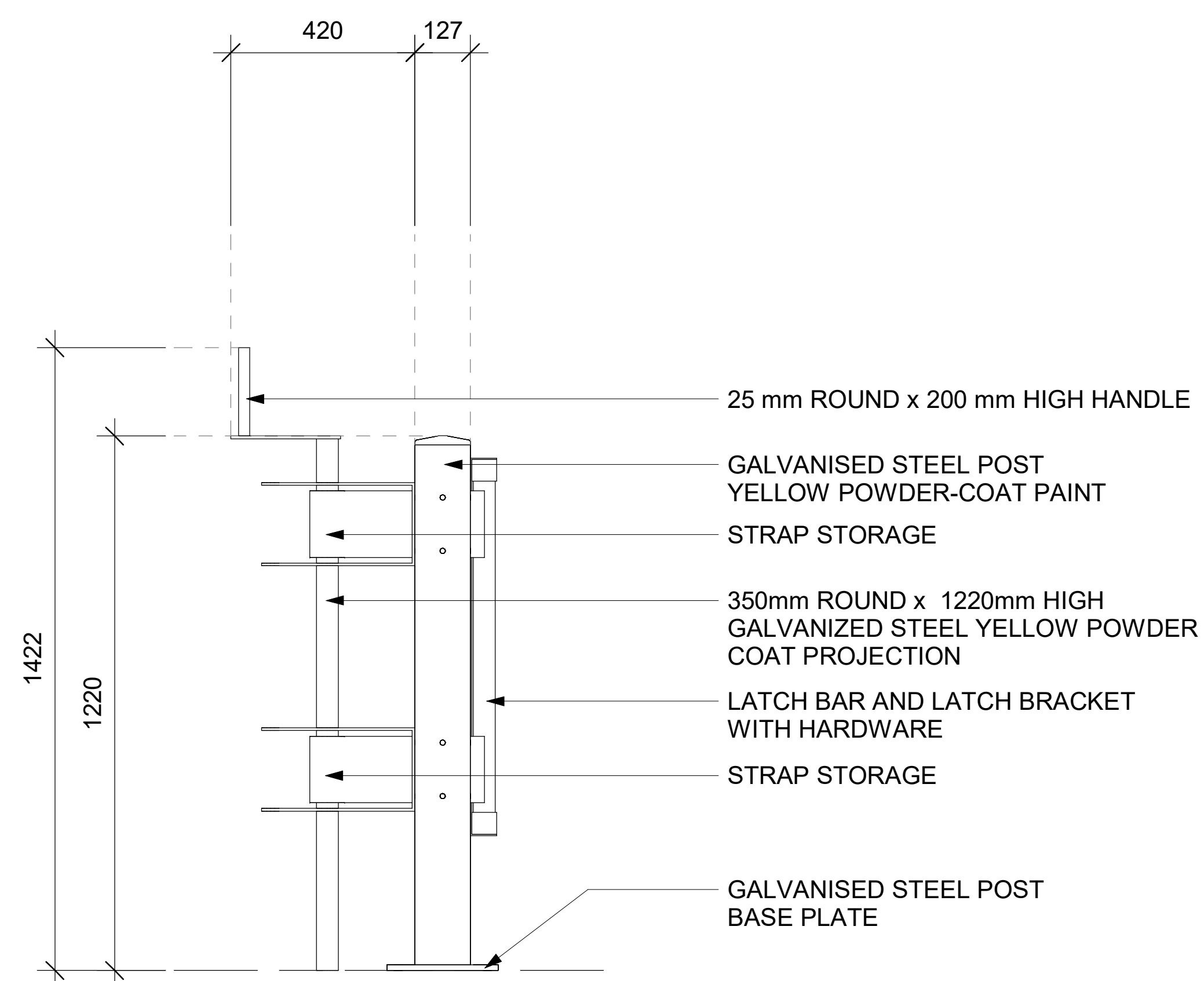
**1 FLOOR PLAN VIEW**

SCALE: 1:10 MTS.



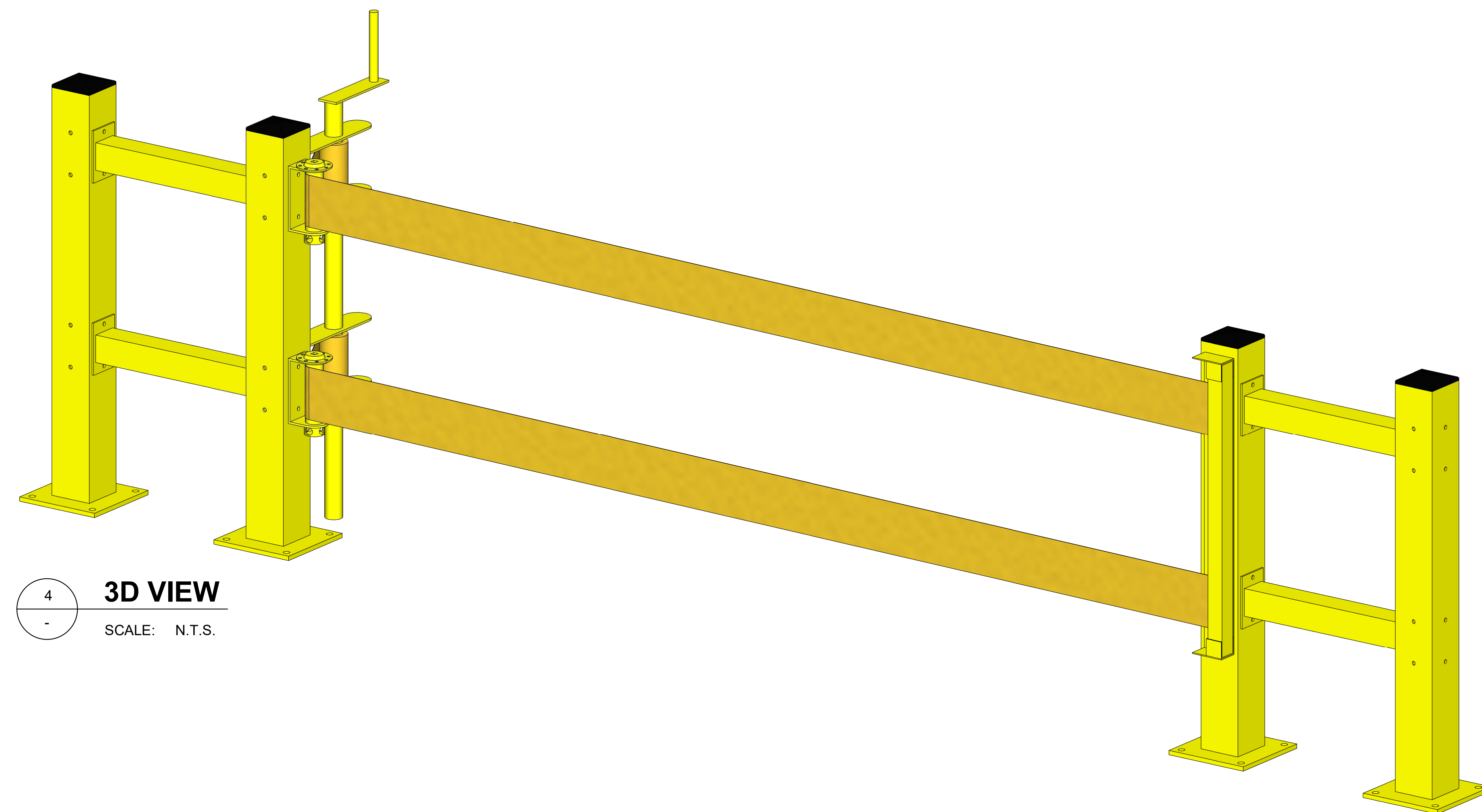
**2 FRONT ELEVATION VIEW**

SCALE: 1:10 MTS.



**3 SIDE ELEVATION VIEW**

SCALE: 1:10 MTS.



- WILL ABSORB MULTIPLE IMPACTS AT THIS LEVEL WITH MINIMAL DAMAGE (20532 JOULES)
- WILL ABSORB AN IMPACT, MAY SUSTAIN DAMAGE (34219 JOULES)
- WILL NOT ABSORB AN IMPACT OF THIS LEVEL

**BLAST IMPACT RATING CHART - GUARDRITE STRAP**

MPH	M / sec	KE ( Joules )									
		4545	5682	6818	8000	9091	10000	11364	12500	13636	
2	0.89	1810	2262	2715	3186	3620	3982	4525	4977	5430	
2.5	1.12	2828	3535	4242	4977	5656	6222	7070	7777	8484	
3	1.34	4072	5090	6109	7167	8145	8959	10181	1119	1221	
3.5	1.56	5543	6929	8314	9756	11086	12195	13857	15243	16629	
4	1.78	7240	9050	10860	12742	14480	15928	18099	19909	21719	
4.5	2.01	9163	11454	13744	16127	18236	20158	22907	25198	27489	
5	2.23	11312	14140	16968	19909	22624	24887	28280	31109	33937	
5.5	2.45	13688	17110	20532	24090	27375	30113	34219	37641	41063	
6	2.68	16290	20362	24434	28670	32579	35837	40724	44796	48869	
6.5	2.90	19118	23897	28676	33647	38235	42059	47794	52573	57353	
7	3.12	22172	27715	33258	39023	44344	48778	55430	60973	66516	

**GUARDRITE STRAP DEFLECTION**

KE (Joules)	3048 mm CLEAR OPENING	6096 mm CLEAR OPENING	9144 mm CLEAR OPENING	12190 mm CLEAR OPENING	15240 mm CLEAR OPENING	18300 mm CLEAR OPENING
	mm	mm	mm	mm	mm	mm
5000	660	762	889	991	1118	1245
10000	711	838	991	1092	1245	1372
15000	762	914	1092	1291	1372	1499
20000	813	991	1168	1321	1473	1626
25000	889	1067	1270	144	160	175
30000	940	1143	1372	1549	1727	1880
34000	991	1219	1473	1676	1854	2007

\*DEFLECTION MEASURED FROM STRAP

**TITLE:**

**ULTI GUARDRITE STRAP BARRIER SYSTEM**

**SHEET NO. :**

1 OF 1

**DATE :**

JUNE 15, 2021

**DRAWING NUMBER :**

**GUARDRITE-001**

**APPROVED BY :**

J.PRESTIDGE

**DRAWN BY :**

J.ENRIQUEZ

**SCALE :**

As indicated

**SHT. SIZE :**

A0

\*All dimensions are in millimeters unless otherwise specified