

**NOTE:**

CONTACT ULTI GROUP FOR ANY CUSTOMISATIONS AND TO DISCUSS PROJECT SPECIFIC INFORMATION

www.ultigroup.co.nz  
hello@ultigroup.co.nz  
Phone: 0800 807 753  
105 Glover Road, Hawera, 4610

**SPECIFICATIONS :**

RELEASED VERSION NO. : **VERSION 1**

PRODUCT GROUP : **HIGH SPEED DOORS**

PRODUCT ID : **00000**

APPLICATION : **INTERNAL & EXTERNAL**

STANDARD SIZE : **2500 mm WIDE x 4000 mm HIGH**

MINIMUM SIZE : **1000 mm WIDE x 1000 mm HIGH**

MAXIMUM SIZE : **3000 mm WIDE x 5400 mm HIGH**

HEADROOM : **DOH / 2 + 500 mm (WRAPBACK ONLY APPLICABLE WHEN DOH > 3000 mm & ONLY CONFIGURATION AVAILABLE FOR DOH > 5000 mm)**

SIDE ROOM - MOTOR SIDE : **625 mm**

SIDE ROOM - NON MOTOR SIDE : **385 mm**

STANDARD FRAME MATERIAL : **ALUMINIUM EXTRUDED FRAME**

STANDARD FRAME COLOUR : **RAL 9005 - STANDARD**

STANDARD CURTAIN MATERIAL : **INSULMAX(R) CURTAIN WITH URETHANE OUTER AND 25 mm POLYESTER INSULATION**

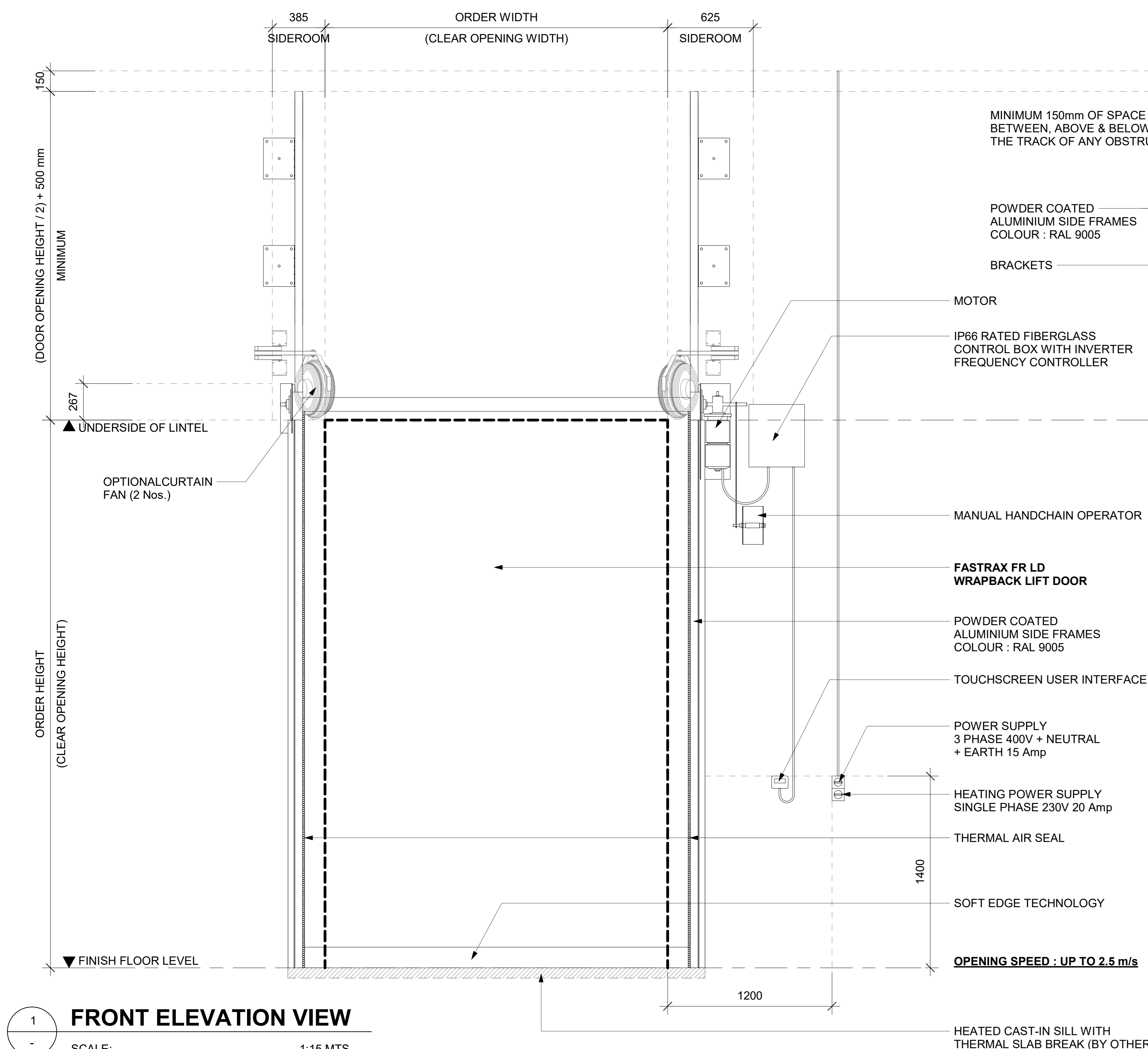
CURTAIN COLOUR (INSIDE / OUTSIDE) : **RAL 5010 - STANDARD**

VISION PANELS : **N / A**

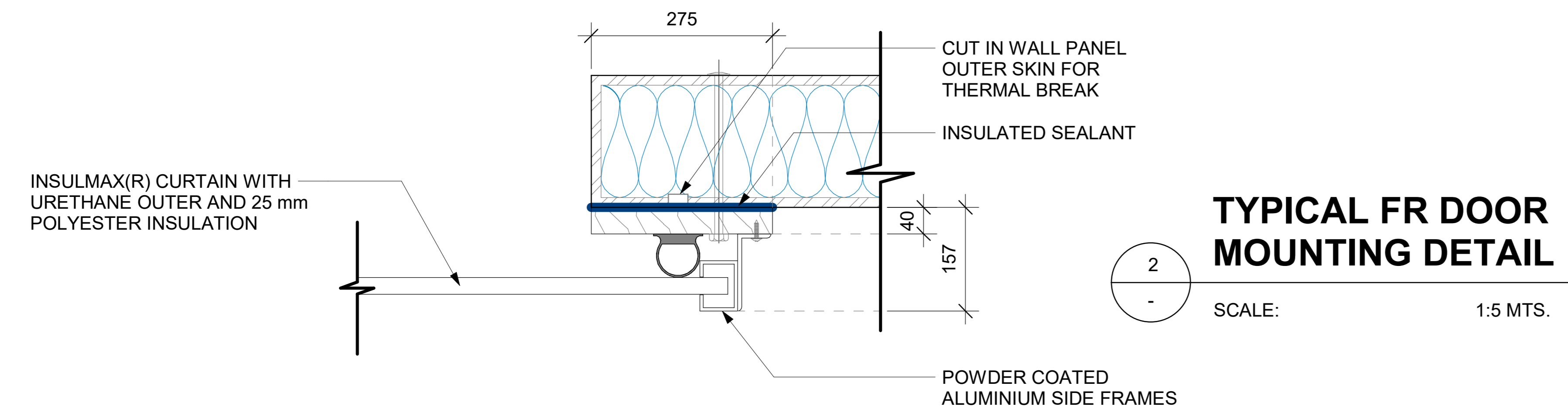
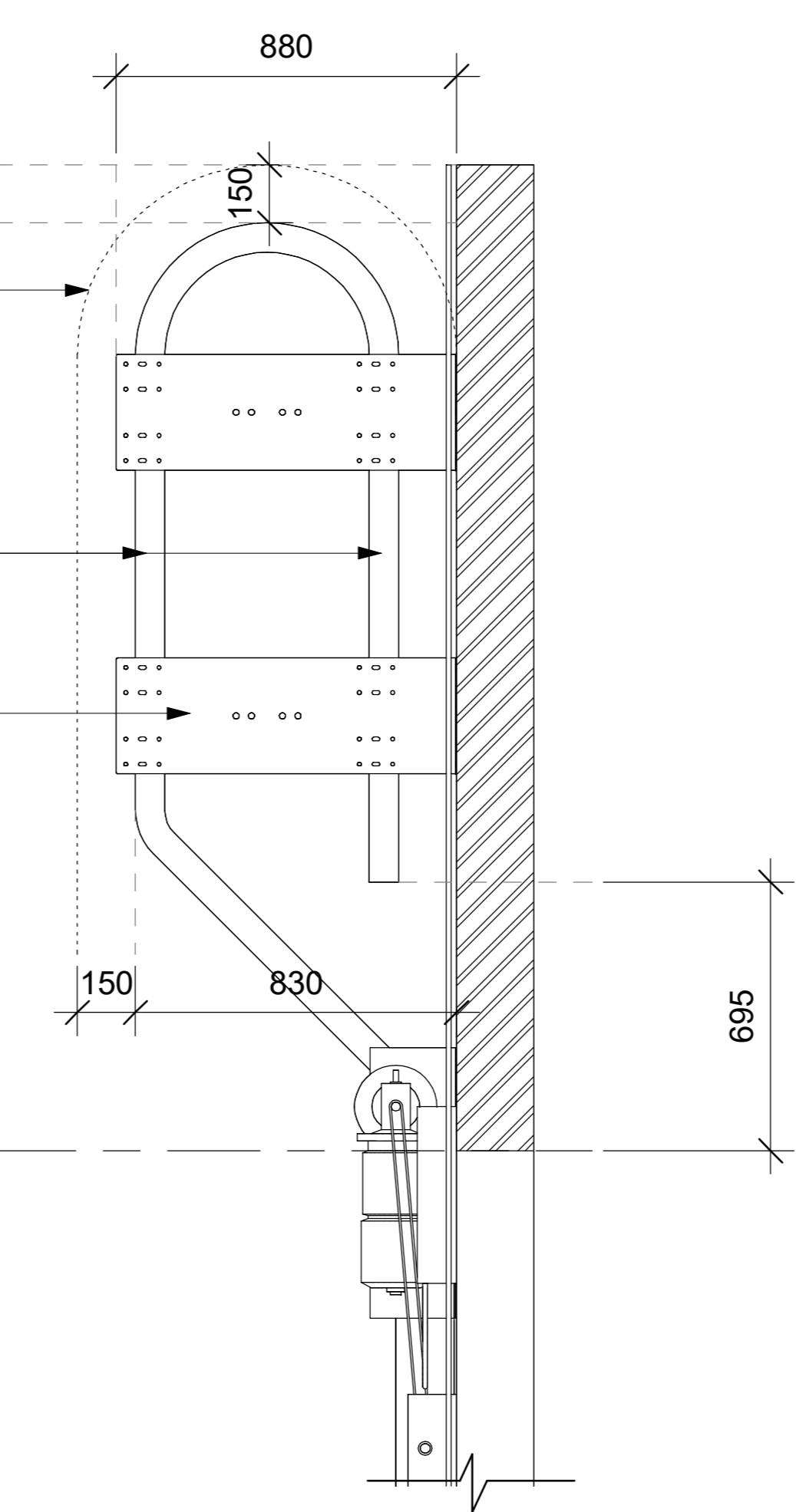
POWER SUPPLY : **3 PHASE, 400V + NEUTRAL + EARTH 15 Amp**

HEATING POWER SUPPLY : **SINGLE PHASE 230V 15 Amp**

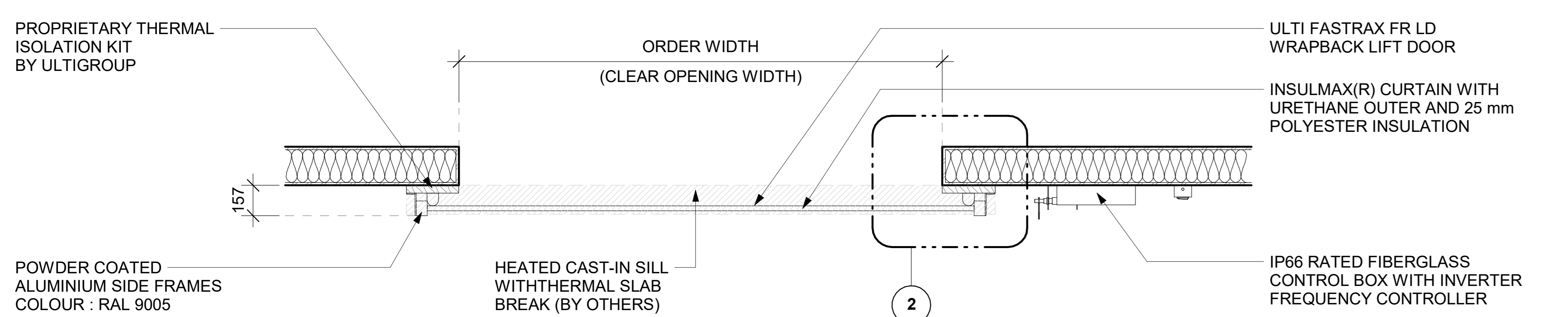
WORKING TEMPERATURE : **-25°C to +50°C DEGREES**



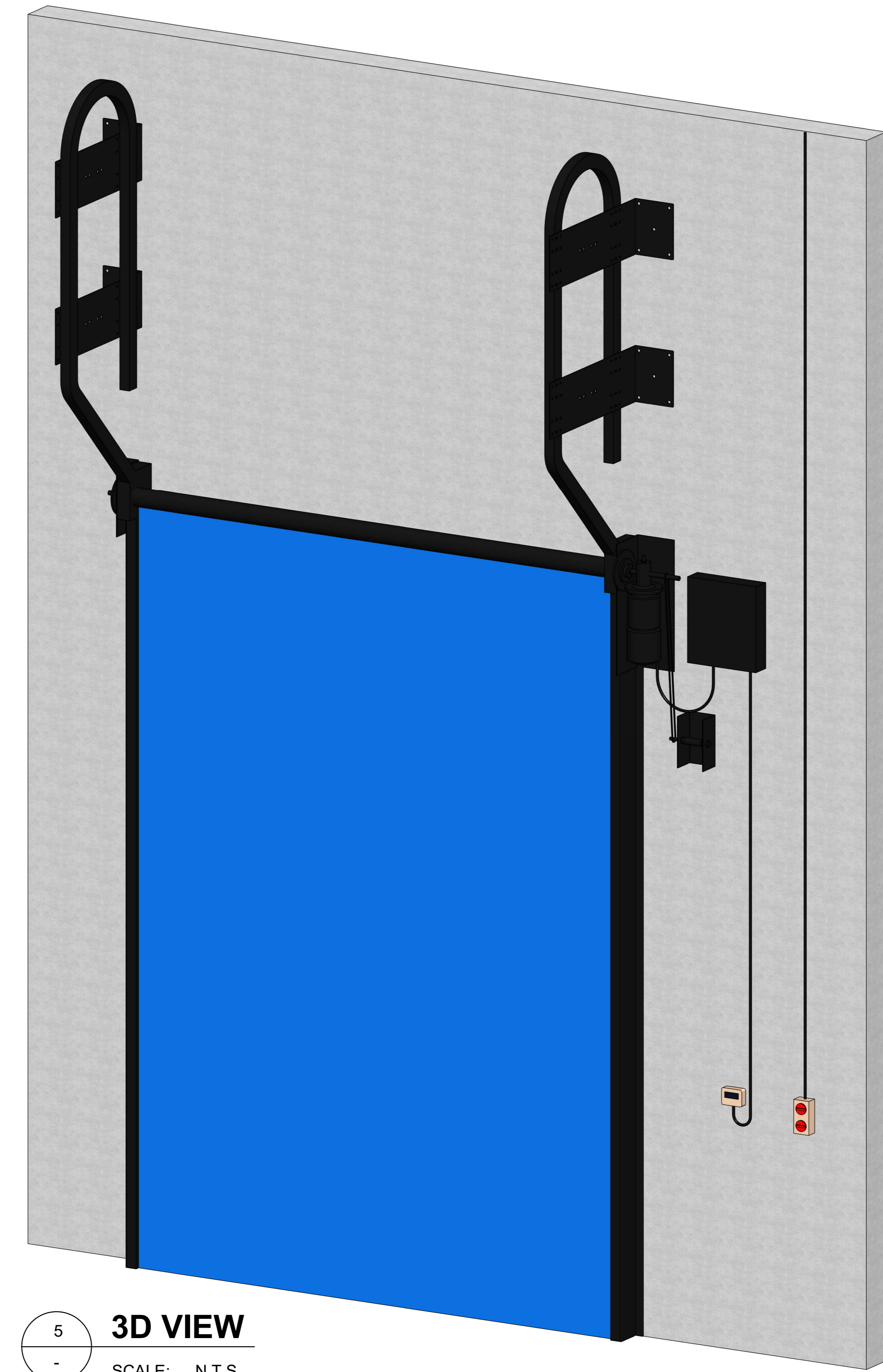
**4 SIDE ELEVATION VIEW**  
SCALE: 1:15 MTS.



**NOTE:**  
ORDER DOORS BY CLEAR OPENING DIMENSIONS REQUIRED



**5 3D VIEW**  
SCALE: N.T.S.



**TITLE:**  
**FASTRAX FR LD WRAPBACK LIFT DOOR**

**SHEET NO. :** 1 OF 1  
**DATE :** APRIL 9, 2021

**DRAWING NUMBER :**  
**FXFR-WRAPBACK-001**

**APPROVED BY :** J.PRESTIDGE  
**DRAWN BY :** J.ENRIQUEZ

**SCALE :** As indicated  
**SHT. SIZE :** A0

\*All dimensions are in millimeters unless otherwise specified