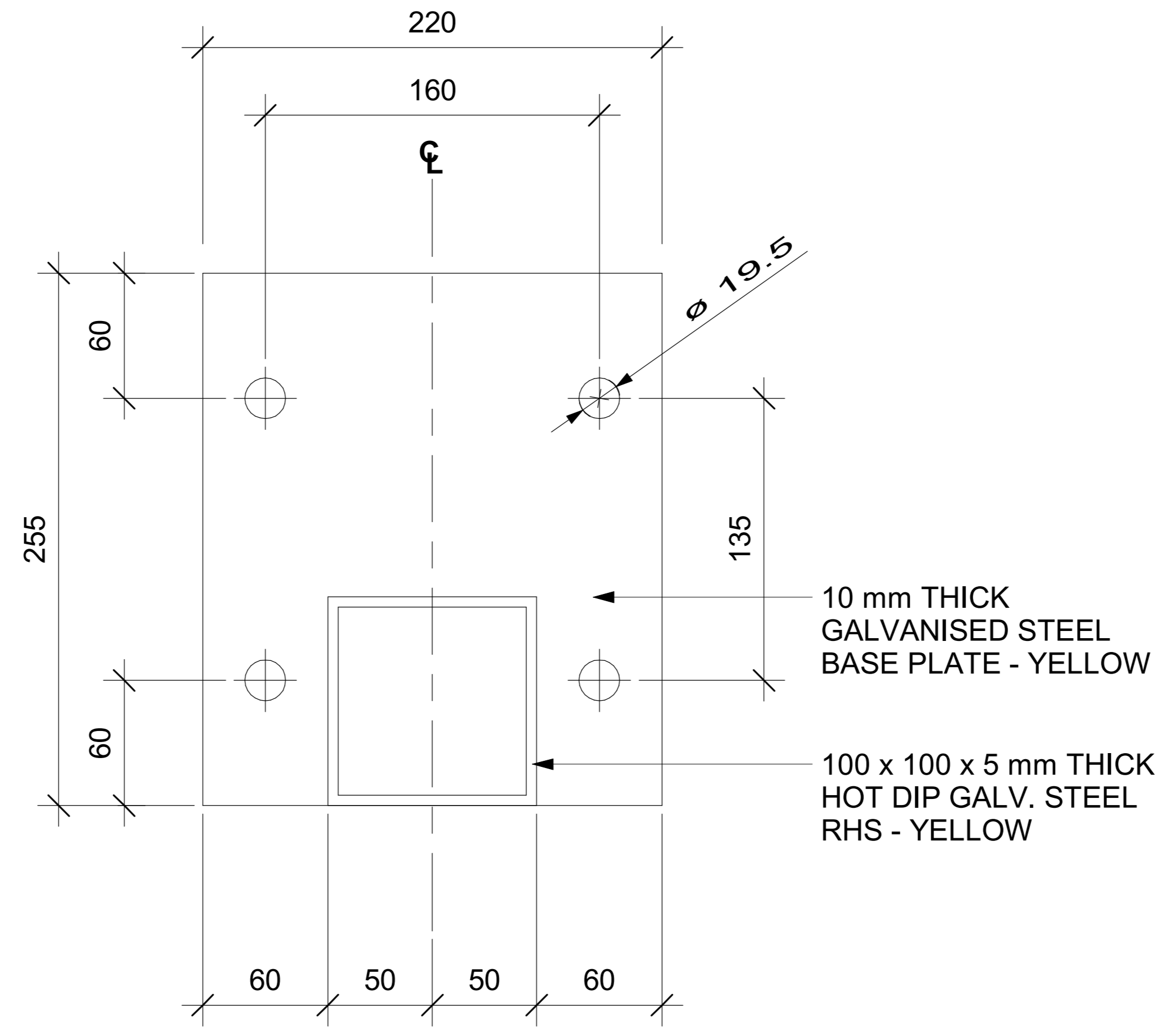


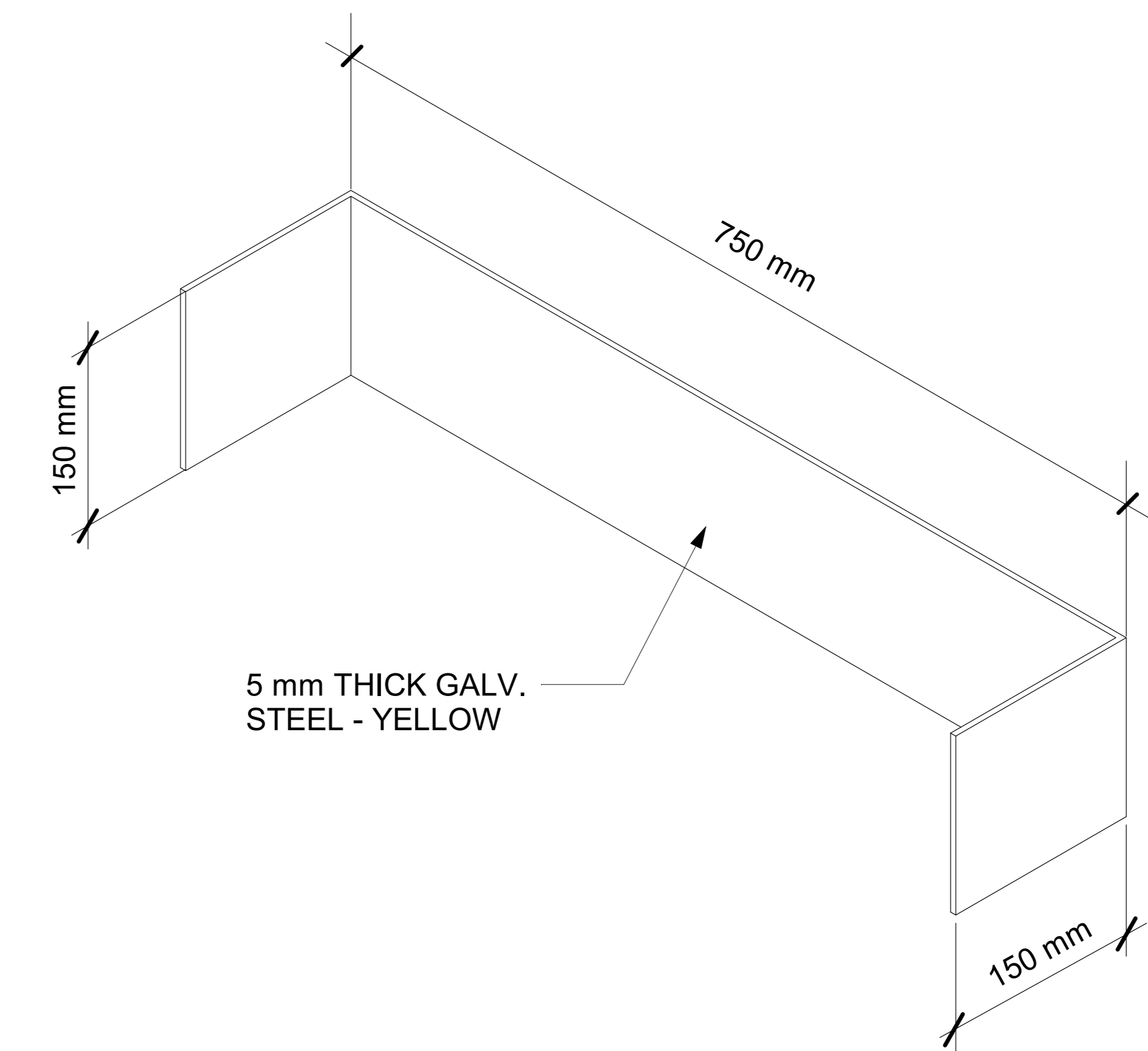
1 FLOOR PLAN VIEW

SCALE: 1:5 MTS.



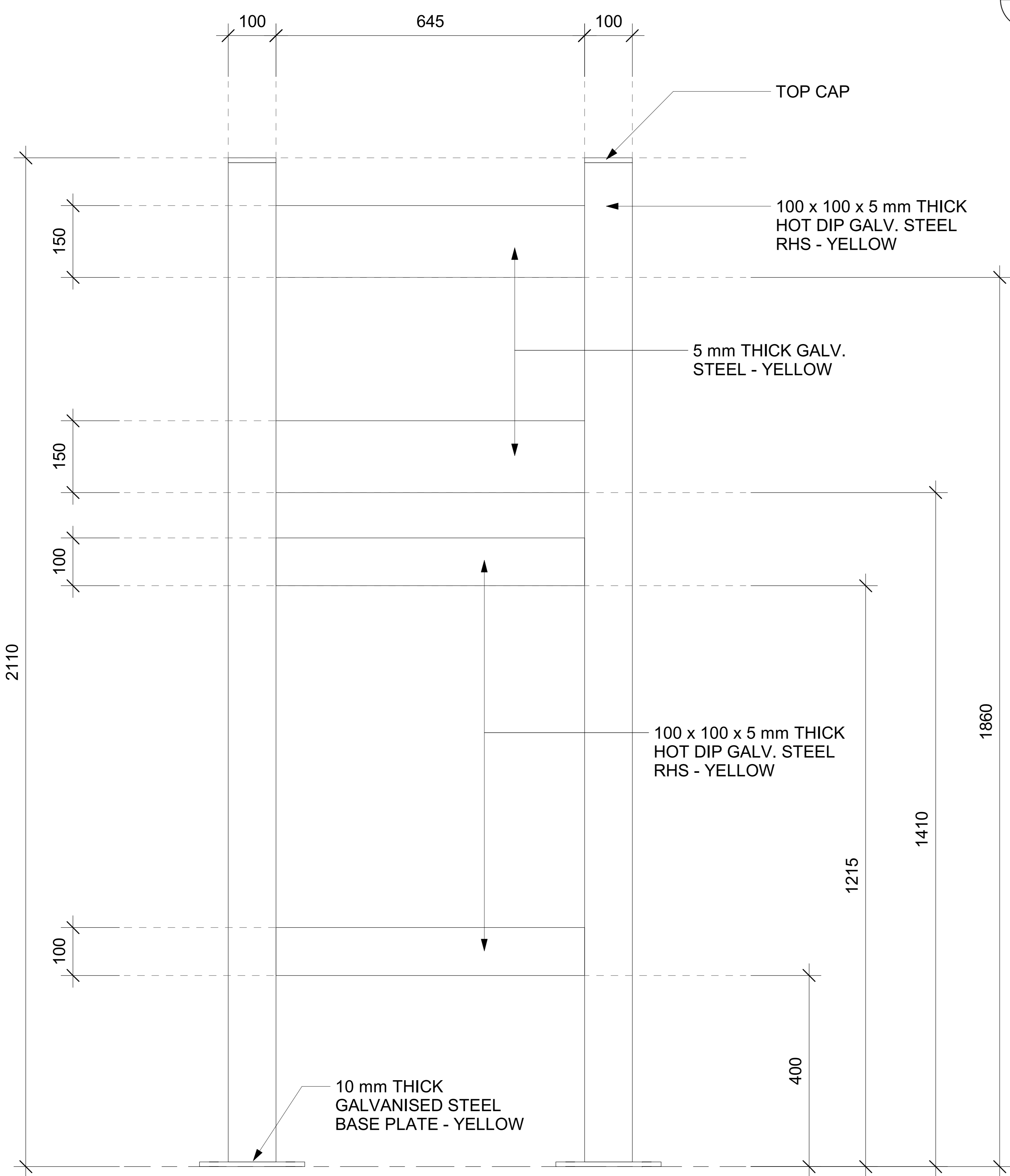
3 BASE PLATE DETAIL

SCALE: 1:2 MTS.



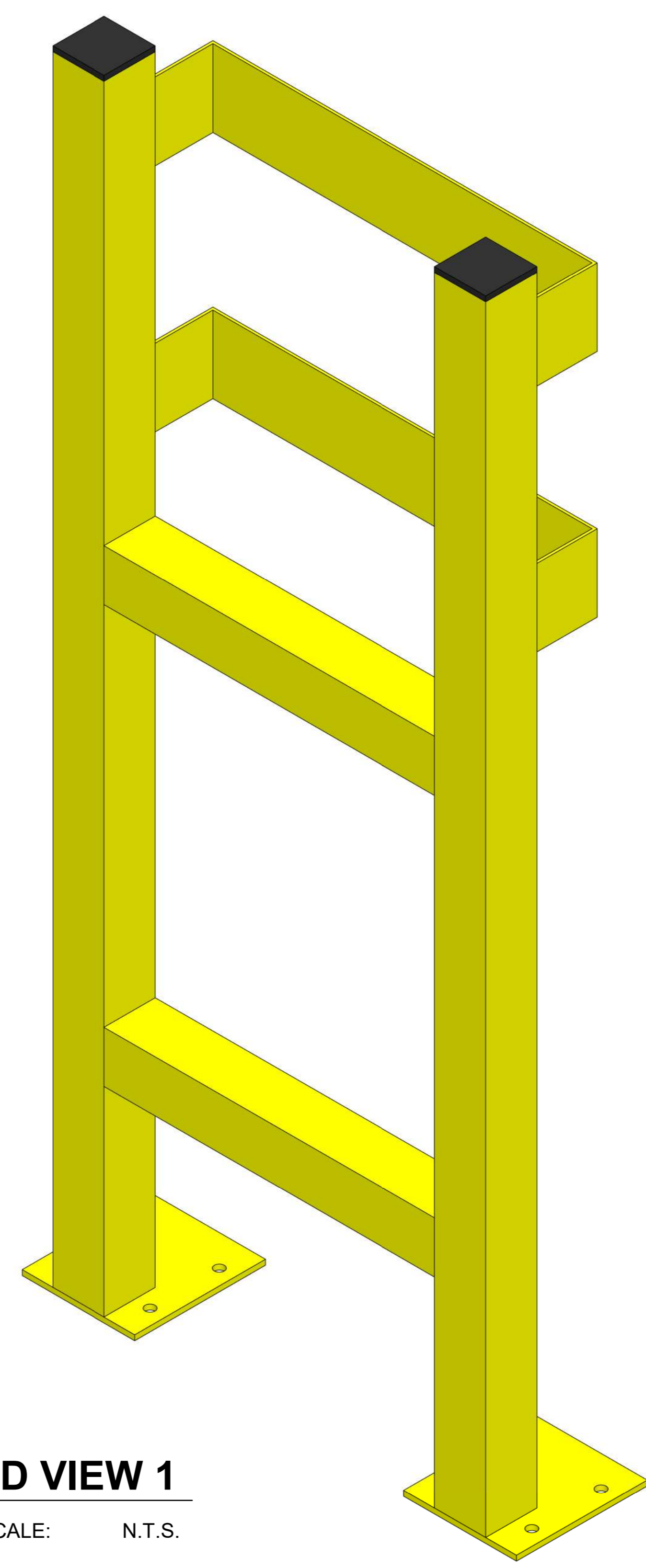
4 CONTROL REST DETAIL

SCALE: 1:3 MTS.



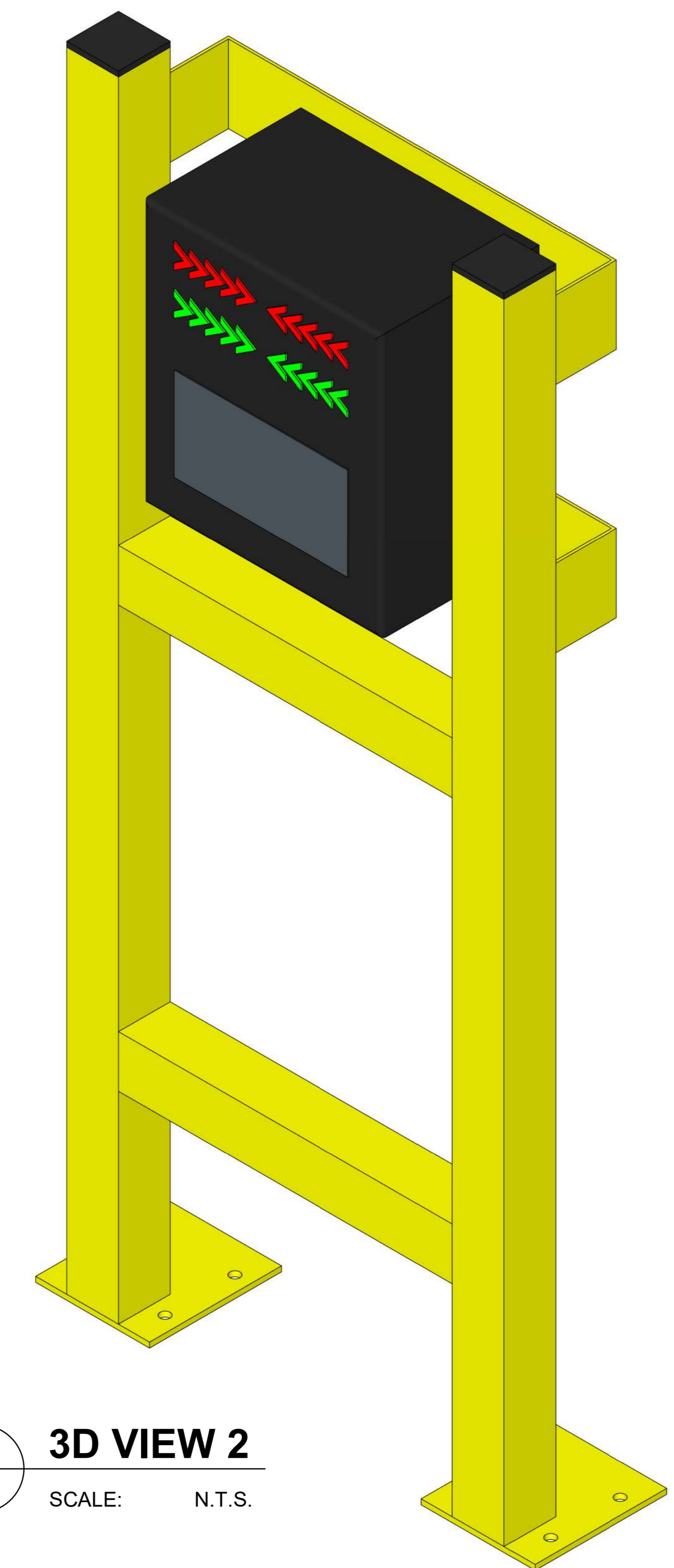
2 FRONT ELEVATION VIEW

SCALE: 1:5 MTS.



5 3D VIEW 1

SCALE: N.T.S.



6 3D VIEW 2

SCALE: N.T.S.



© Ulti Group Ltd, 2019
NOTE:
 CONTACT ULTI GROUP FOR ANY CUSTOMISATIONS AND TO DISCUSS PROJECT SPECIFIC INFORMATION
 www.ultigroup.co.nz
 sales@ultigroup.co.nz
 Phone: 0800 807 753
 68 McLaughlins Road, Wiri, Auckland, 2104

REVISIONS			
REV.	DESCRIPTION	BY	DATE
-	-	-	-

TITLE: DOCK COMMANDER CONTROL STATION DETAILS	
PROJECT CLIENT: -	
ULTI PROJECT REFERENCE NO. : -	
SHEET NO. : 1 OF 1	DATE : JAN. 31, 2020

DRAWING NUMBER : -	
APPROVED BY :	A.SUCKLING
DRAWN BY :	J.ENRIQUEZ
SCALE :	As indicated
SHT. SIZE :	A0
*All dimensions are in millimeters unless otherwise specified	