

3000 Series Swing Door

HEAVY DUTY PVC TRAFFIC DOOR



These doors are a long-proven solution for larger busy openings, allowing free and fast access through the door in both directions. The extra strength frame system and clear view PVC panels enhance safety, durability and provide a good level of environmental control at all times.

Crash Through

The very robust construction of these doors allows both forklift traffic and personnel to pass through in either direction at any time. Heavy-duty spring mechanisms continuously reset the doors to their closed position. Impact release shear pins ensure no damage to the door or surrounds if the frame is accidentally impacted by forklift traffic.

Commonly installed in:

- Supermarkets and Retail
- Food Preparation Areas
- Hospitality and Kitchens
- Health and Medical Laboratories
- Washroom and Amenities
- Commercial Laundries
- Logistics Facilities

Aesthetic Screening

The 3000 series door has a heavy-gauge, high tensile, aluminium frame, and a selection of attractive colour choices that can be added to the main panels, providing appropriate screening of warehouse or production areas from areas accessible by the general public. Additionally, customised incorporated signage is available to request, such as "staff only access" or similar, which is longer lasting than exterior signage.

Long-life

Due to the very robust hardware, including lubrication-free nylon bearings, these doors endure harsh usage. No other double acting door can withstand the constant impact of heavily trafficked openings. These doors outlast any more traditional materials such as timber door leaves by as many as 5 times!

Environmental Control

The door leaves' extra strength spring-loaded operation ensures only the minimum required area for traffic pass through is used. This provides significant benefits in controlling the respective environments either side of the doors and ensures maximum noise reduction, HVAC efficiency and bird proofing etc. This benefit is especially important in the larger openings.

Cleanability

Every component of the 3000 series doors is easily cleanable, ensuring hygiene and visual aspects are easily maintained. Furthermore, stainless steel spring systems are available which allow full wash down of the doors should this be required for safety compliance.



TECHNICAL SPECIFICATIONS

Standard Sizes	up to 2500mm H x 2500mm W (Double Leaf) up to 2500mm H x 1200mm W (Single Leaf)
Maximum Sizes	
Double Leaf	up to 3200mm H x 3060mm W
Single Leaf	up to 3000mm H x 1580mm W
Maximum Opening Angle	90°

STRUCTURE

Frames	High tensile aluminium frame with welded gusset connection
--------	--

SPACE REQUIREMENTS

The minimum structural requirements for door openings are 145mm depth of standard framing. All jamb trims or flashings e.g. stainless-steel capping is to be provided by others prior.

Complete door opening must be level, plumb and square.

Floor must have no incline within entire swing of door, or order to highest point of finished floor.

DIMENSIONS

PANELS

Material	7mm heavy duty Duraflex PVC
Bearings	Lubrication Free Nylon
Knock Out Release	Shear Pins

STANDARD INCLUSIONS

2 rows 300mm impact bands across door width (grey) at ground level and 900mm Heavy-duty support bands for door leaves, 2x per leaf

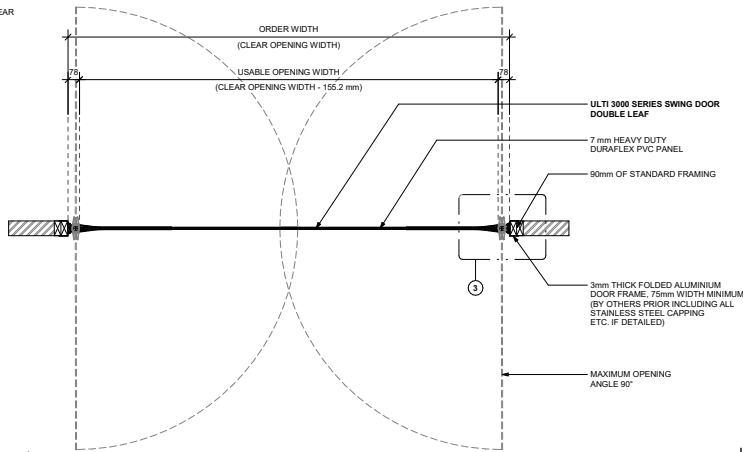
WARRANTY

12 Months or 100,000 Cycles
*Std Warranty terms and conditions apply

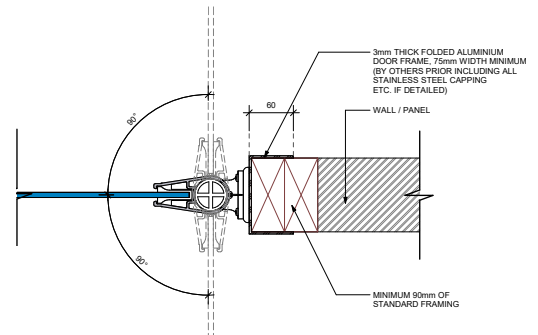
OPTIONAL INCLUSIONS

- 2 rows 300mm impact bands across door width (clear, black, or blue)
- Texaflex coloured PVC privacy panel, max 1400mm high (grey, black and blue)
- Stainless steel spring upgrade (required for washdown areas)
- 4000 series aluminium frame where required for extra support (alters frame dimensions)
- Additional frame pivot for opening angles over 100° (alters frame dimensions)
- Custom colour powder-coated frames
- Double-sided laminated signage to custom requirements
- Heavy-duty support bands for door leaves, 1x per leaf (pedestrian only)

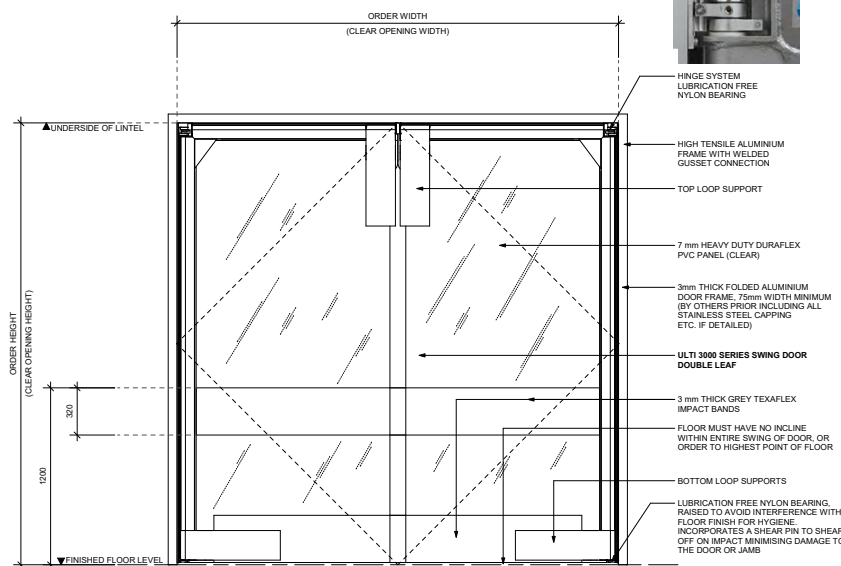
NOTE:
ORDER DOORS BY CLEAR
OPENING DIMENSION
REQUIRED



FLOOR PLAN VIEW



ULTI TYPICAL HINGED DOOR
FRAME PREPARATION



FRONT ELEVATION VIEW