

CoolMan® 2800 Trailer Fan with Rite-Lite™ LED Dock Light

Increase worker comfort and productivity by controlling temperatures inside a trailer.



Image shown with optional Rite-Lite LED Dock Light



Performance

- » Fully enclosed 1/2-horsepower, 115 volt, 60 hertz, three speed motor: 2000 CFM, 2600 CFM and 2800 CFM
- » Save energy by setting variable auto-off timer up to 180 minutes

Construction

- » Yellow polypropylene copolymer housing
- » T-style handle for easy vertical or horizontal adjustment
- » Mounting bracket and arm swivels to service two loading dock openings
- » Optional adjustable mounting bracket allows the unit to move up to 19" for ideal positioning in the trailer

Rite-Lite LED Dock Light

- » 18-watt Flex Neck-style dock light
- » Four different settings with visual indicators to clearly identify the current level of lighting allowing users to select the desired level of light output
- » UL, cUL listed and CE certified
- » Impact-resistant head (no glass)
- » Optional Motion Sensing Technology senses when a forklift or person is leaving a trailer and automatically dims the light to 25% output, restoring to full power after a few seconds.

Warranty

- » CoolMan 2800 Fan - 1 year parts
- » Rite-Lite LED Dock Light - 5 year parts

Specifications/Survey

Date _____

Company Name _____

Address _____

City _____

State _____ Zip Code _____

Representative _____

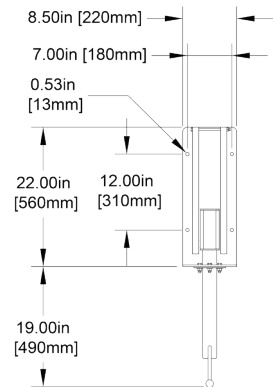
Salesperson _____

Quantity: _____ Signature: _____

- Voltage:**
115V / 1 phase / 60 Hz (North America)
230V / 1 phase / 50 Hz (International)

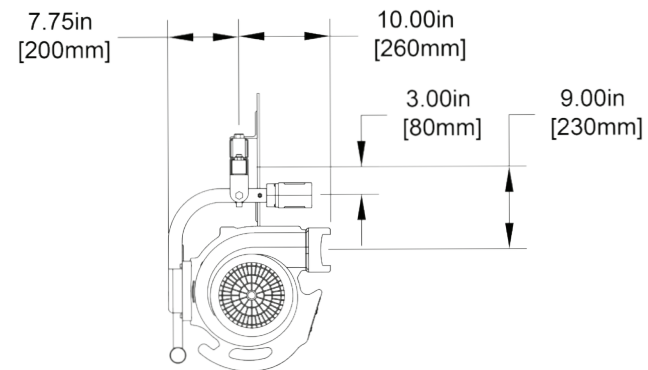
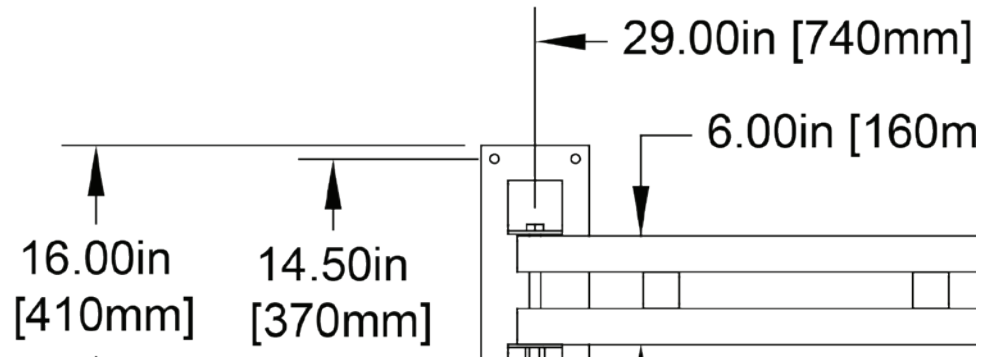
- Options:**
Fan Only
Fan + Rite-Lite LED
Fan + Rite-Lite LED + MST

- Bracket:**
Standard Wall Bracket
Adjustable Height Wall Bracket



Shown with Optional Adjustable Height Wall Bracket

CoolMan® 2800 Trailer Fan



105 Glover Road, Hawera, 4610
PO Box 340, Hawera, 4640

CALL FREE NZ 0800 807 753
EMAIL sales@ultigroup.co.nz
WEBSITE ultigroup.co.nz