



**ulti
group**

How to Choose Your PVC Strip Curtains

Tips for choosing your PVC curtains

ULTIGROUP.CO.NZ

Before purchasing your PVC Strip Curtains



STEP 1: MEASURE THE SPACE

Height (H) Measure from the underside of the door lintel/frame all the way to the ground.

Width (W) Measure between the two inner side edges of the door frame

We call these measurements the daylight opening size. Our cut size calculator asks if you want it mounted under the lintel or face mounted above the lintel. It will make the necessary deductions or additions to both the length and the height after these tabs are chosen.

The calculator we use ensures that ideally the strips will hang 20mm above the floor to make sure they hang freely.





STEP 2: CHOOSE YOUR PVC TYPE

Ulti Group have a choice of PVC types, styles, grades, widths and colours. All PVC is made of **Virgin Grade** material, meets **Food Grade** standards and is available in **anti-static**.

They all comply with the **Food and Drug Administration regulations** and have passed these tests in the USA.

COLOURS

 Clear - This has a blueish tinge to it to help with lasting transparency. Both Standard (Temp range of +50° to -10°) and freezer grade (Temp range of +10° to -40°).

 Red - This has UV protection and is used for welding bays but also for highlighting the edge of the doorways with the two external strips being red. Temp range of +50° to -10°

 Yellow - This has natural insect repellent properties. Temp range of +50° to -10°

 Black - This glossy black is popular where privacy is required. Temp range of +50° to -10°



Green - Also a welding grade in 300mm wide only. Temp range of +50° to -10°



Other - colours can be arranged for special orders

GRADES



Standard Temperature

Our most common PVC roll. This is a bluish tinge giving a natural vision. Suitable for temperatures range from +50° to -10°

Freezer Grade

All our freezer grade is super- polar which means it has a range from +10°C to -40°C. Because of these properties, it is soer and more flexible than standard temp PVC. Under freezer conditions, this hardens and becomes durable to suit forkli machinery. The colour is less blueish and more clear.°

LENGTH, THICKNESS AND WIDTHS

Our range in mm's is 100 x 2, 200 x 2, 300 x 3, 400 x 4. (400mm only available in Standard temp flat). We recommend using the lighter widths for pedestrians as it is more comfortable to walk through. All rolls are 50 metres long.

TYPES

Ribbed has double thread-reinforced profiles and is ideal for heavy traffic such as forkli's and other vehicles. Flat is suitable for pedestrians and light trolleys.

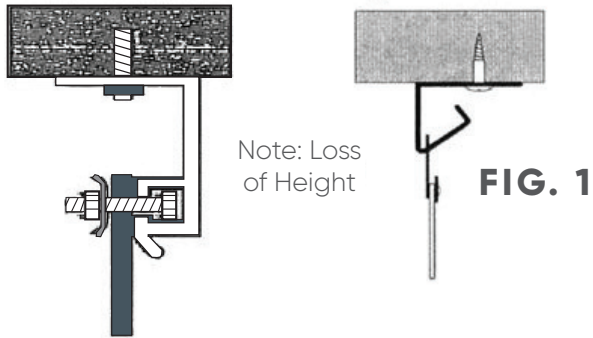
Ribbed or flat for both Freezer and standard grade options. (exceptions to this is the 100mm, 400mm, Red, Yellow and Green which are only available in flat.)

TIPS FOR CHOOSING YOUR PVC STRIP CURTAINS

STEP 3: CHOOSING THE HANGING POSITION

We have two different types of rails. Hook rail(available as uncovered and covered) and fixed rail. Our hook rail can be hung both face mounted or under the lintel. However, we need to know which system you will use so the PVC strips will be cut to the correct length. The fixed face mounted rail is different from the fixed under lintel rail.

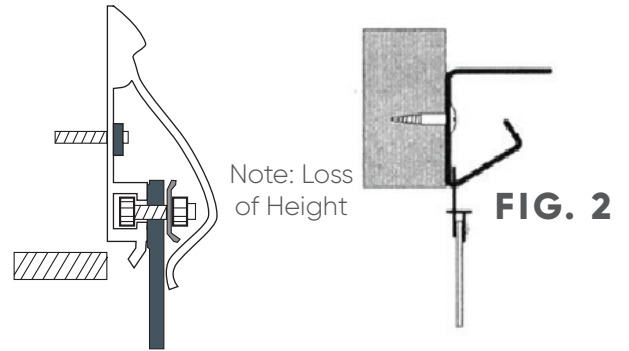
Under Lintel Fixed



Fixed Rail without cover to show bolt and washer

Hook Rail

Face Fixed



Fixed Rail without cover to show bolt and washer

Hook Rail

UNDER LINTEL

See: fig. 1. Under lintel shown.

This deducts the measurement of the rail from the useable height. Also, the curtains will be made to fit in between the door frame. In a hook system, the outside ones may have adjusted overlap to make them fit.

FACE MOUNT

See fig. 2. Face fixed.

This will mean the rail and strips will continue past the inner door frame ensuring no draughts will creep around the edges.

STEP 4: CHOOSING YOUR RAIL TYPE

As seen below there are 2 types of rails:



FIXED RAIL

The PVC strip is bolted and the head of the bolt is slid into the rail.



HOOKED RAIL

The PVC is secured to clamps and hung from the hooks.

Any of these strips can be easily removed if required to be replaced without loosening and sliding any other strips off.

What's in the Box?

PARTS SUPPLIED

Your package will include:

- The PVC strips,
- The correct number of M6 bolts for attaching the strips
- The chosen Header rail cut to the correct length.
- Cover for fixed rail if required

Installation Options

WE OFFER KITSET, ASSEMBLED OR INSTALLED

Kitset - all parts are supplied but nothing assembled

Assembled - the strips will have been bolted on to the header or in the case of the hook rail to the hanger clamps ready to hook on. Both will be ready for the rail to simply be fasten to the wall or lintel.

Correct mounting for the hook and the fixed system has every second strip hung flat at the back with the alternate ones over lapping one hook over the top.

Correct



Incorrect



Installed - our technicians will come on site and complete the job safely and leaving the site tidy and secure.



Ultigroup

800 807 753

ULTIGROUP.CO.NZ