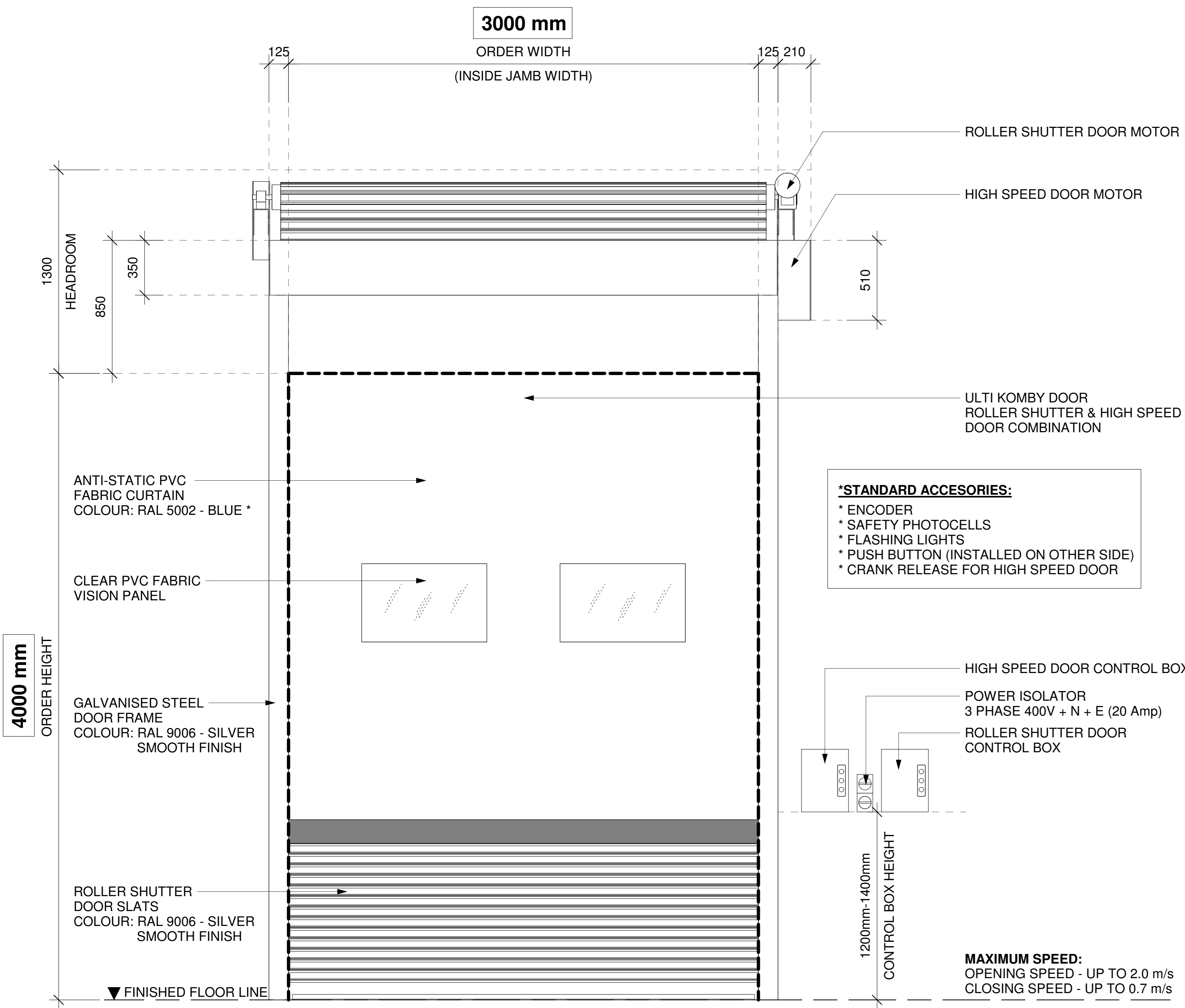
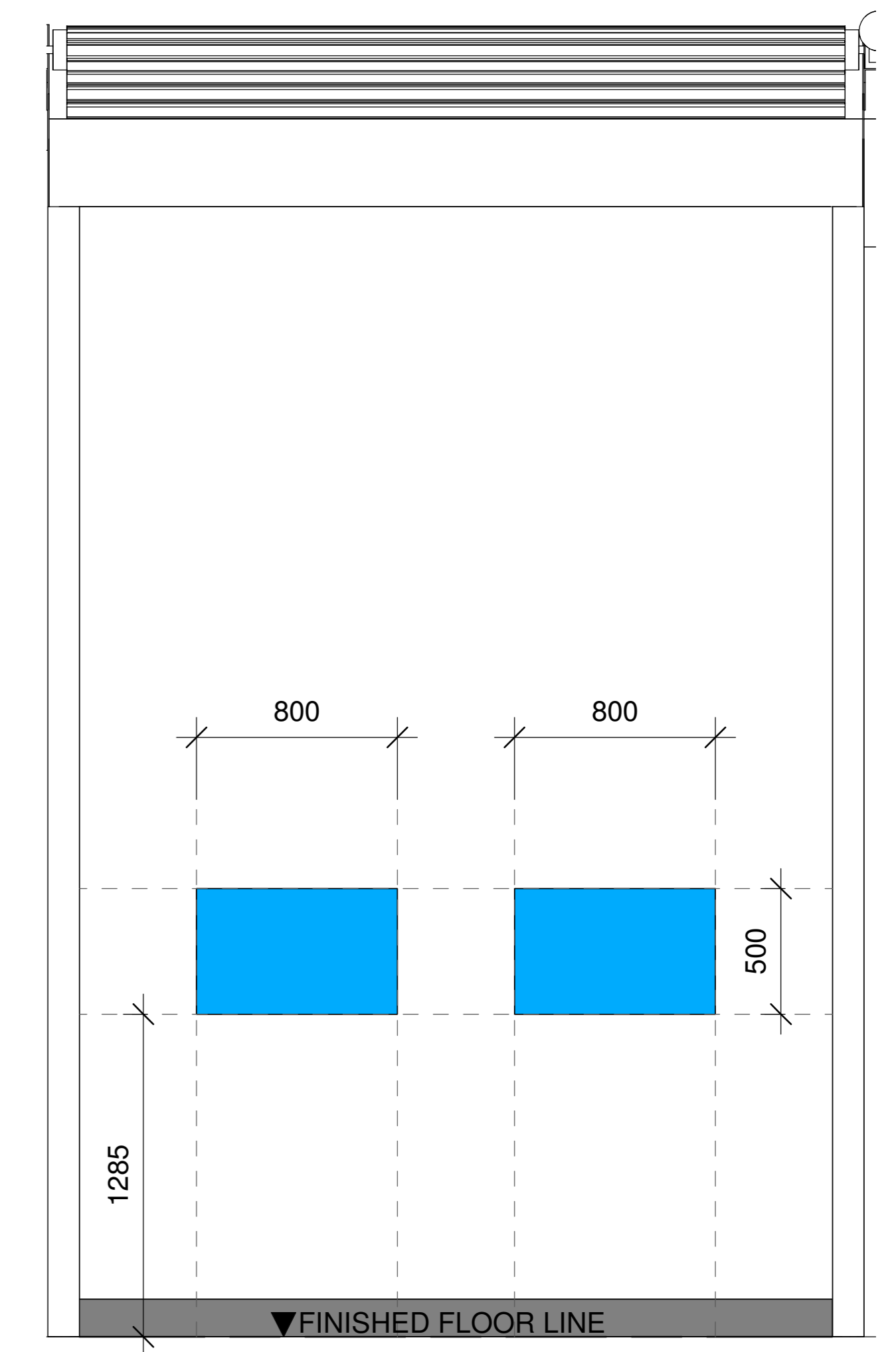
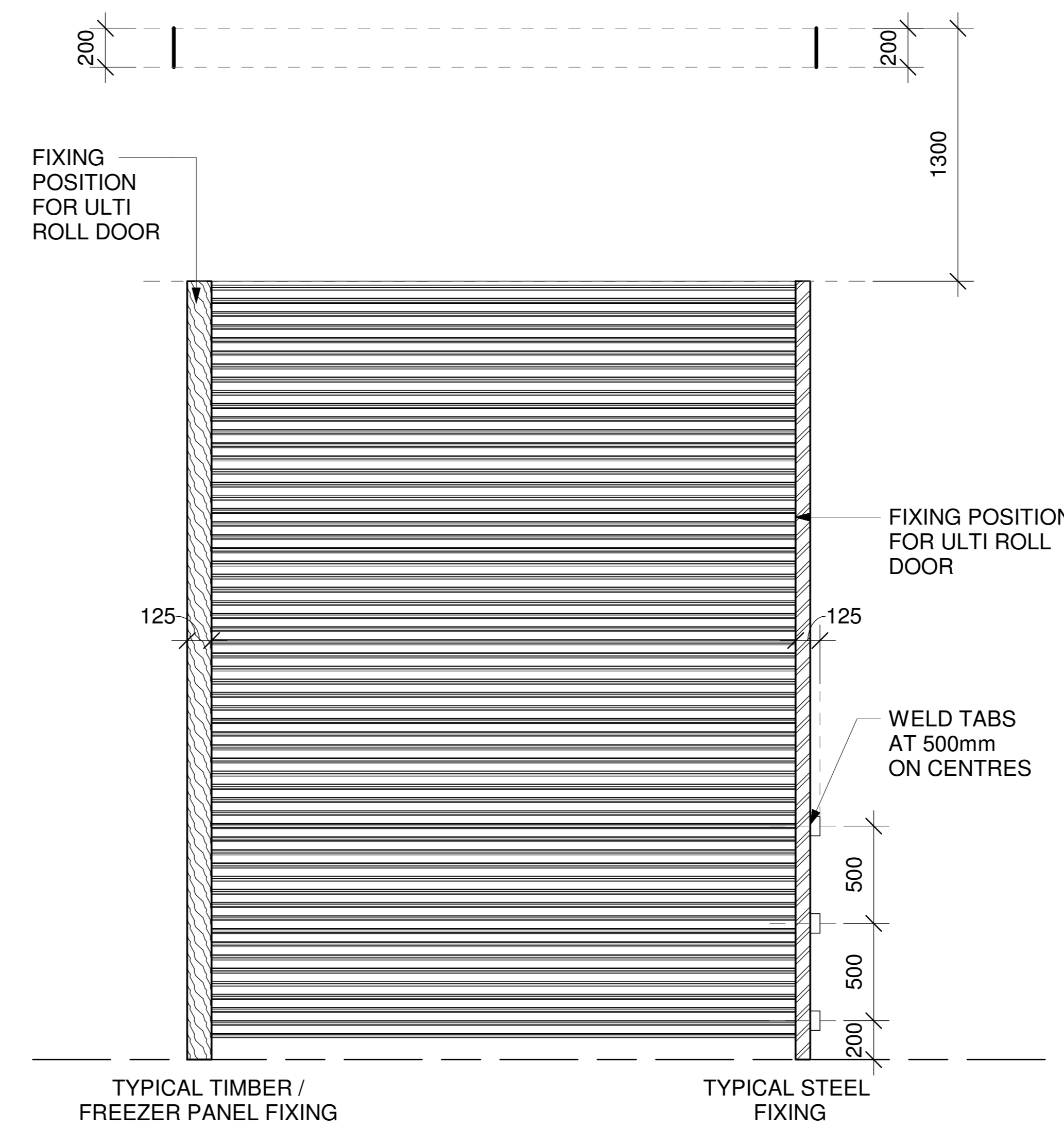
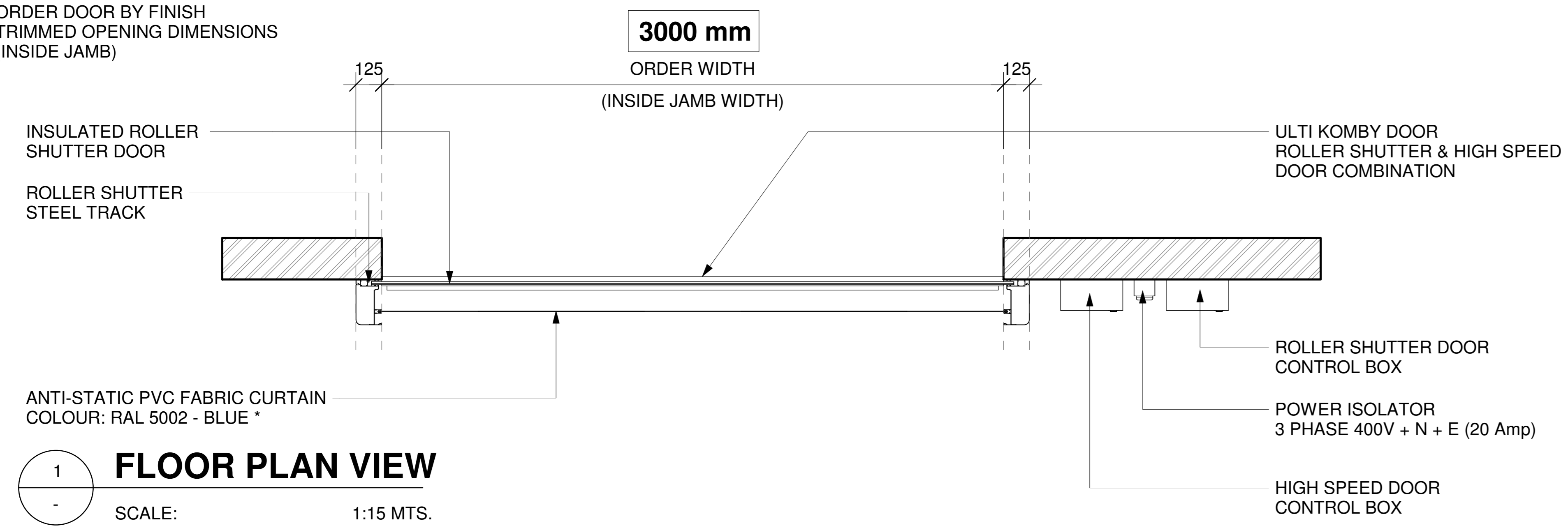


NOTE:
ORDER DOOR BY FINISH
TRIMMED OPENING DIMENSIONS
(INSIDE JAMB)



- *STANDARD ACESORIES:**
- * ENCODER
 - * SAFETY PHOTOCELLS
 - * FLASHING LIGHTS
 - * PUSH BUTTON (INSTALLED ON OTHER SIDE)
 - * CRANK RELEASE FOR HIGH SPEED DOOR

MAXIMUM SPEED:
OPENING SPEED - UP TO 2.0 m/s
CLOSING SPEED - UP TO 0.7 m/s

3 FIXING POSITION
SCALE: 1:20 MTS.

4 CURTAIN VISION PANEL DETAIL
SCALE: 1:20 MTS.

2 FRONT ELEVATION VIEW
SCALE: 1:15 MTS.

5 3D VIEW
SCALE: N.T.S.

